



GN9 SERIES

HIGH SPEED OVERLOCK SEWING MACHINE
INSTRUCTION BOOK /PARTS CATALOGUE

XI'AN TYPICAL INDUSTRIES CO.,LTD.

INTRODUCTION

Thank you very much for purchasing GN9 Series sewing machine.

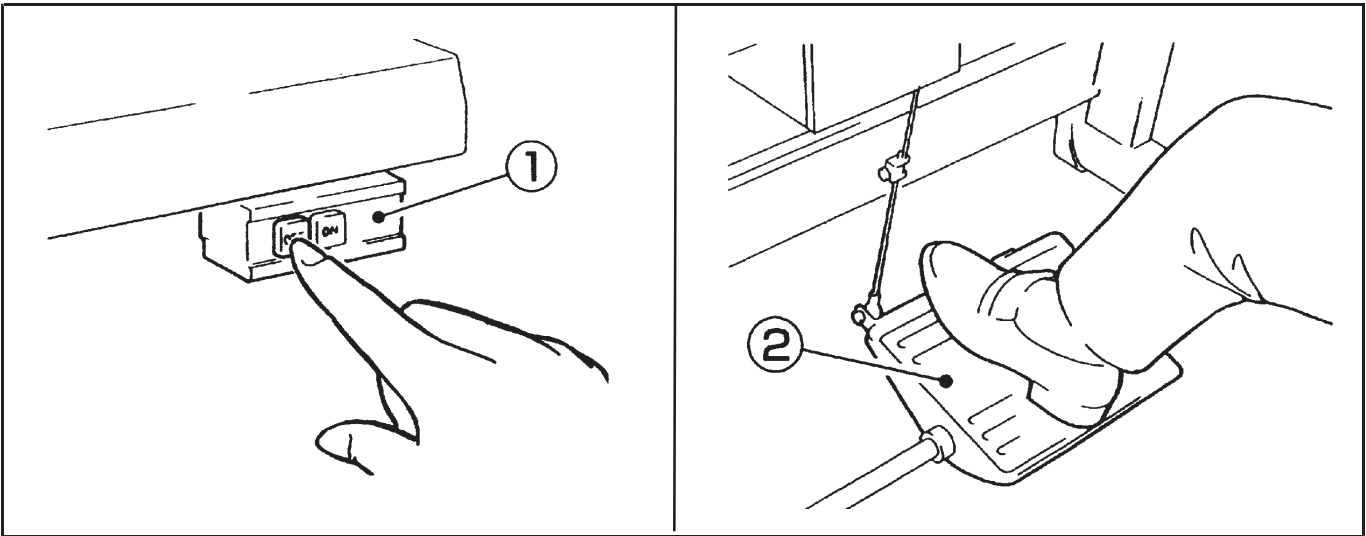
This instruction manual describes daily routine maintenance and safety precautions to keep the machine in the best possible conditions.

Please study this manual very carefully before operating the machine.

OBSERVE THESE SAFETY PRECAUTIONS

Though GN9 series takes the utmost care to produce safe sewing machines and devices, operators should follow these basic safety rules.

- To prevent accidents, do not remove safety devices or parts while operating the machine.
- Do not leave tools or other unnecessary objects on the machine table while operating the machine.
- Before maintenance, adjusting, cleaning, threading or replacing the needle, and to prevent accidents, be sure the power is turned off. Check that the machine will not operate when the pedal is pressed.



- Turn the power off before leaving the machine table.
- In the event of a power failure, be sure to turn the machine off.
- Check that the machine is securely grounded.
- ▲ In case a clutch type motor is used, it will keep on rotating by inertia after turning off power supply ①. If the machine pedal ② is stepped on inadvertently, it is dangerous because the machine will move unexpectedly.
- ▲ Keep on stepping on the machine pedal ② until the machine comes to a stop after turning off the power supply ①.

CONTENTS

■ BEFORE OPERATING

Schematic diagram of the machine table	3
Installing the machine head	4
The machine speed and the turning direction	4
Lubrication	5
Manual lubrication	5
Filling the HR device with silicon oil	6
Threading	6

■ TEST SEWING

Adjusting the presser foot pressure	7
Adjusting the diff. feed ratio	8
Adjusting the stitch length	8
Adjusting the thread tension	9

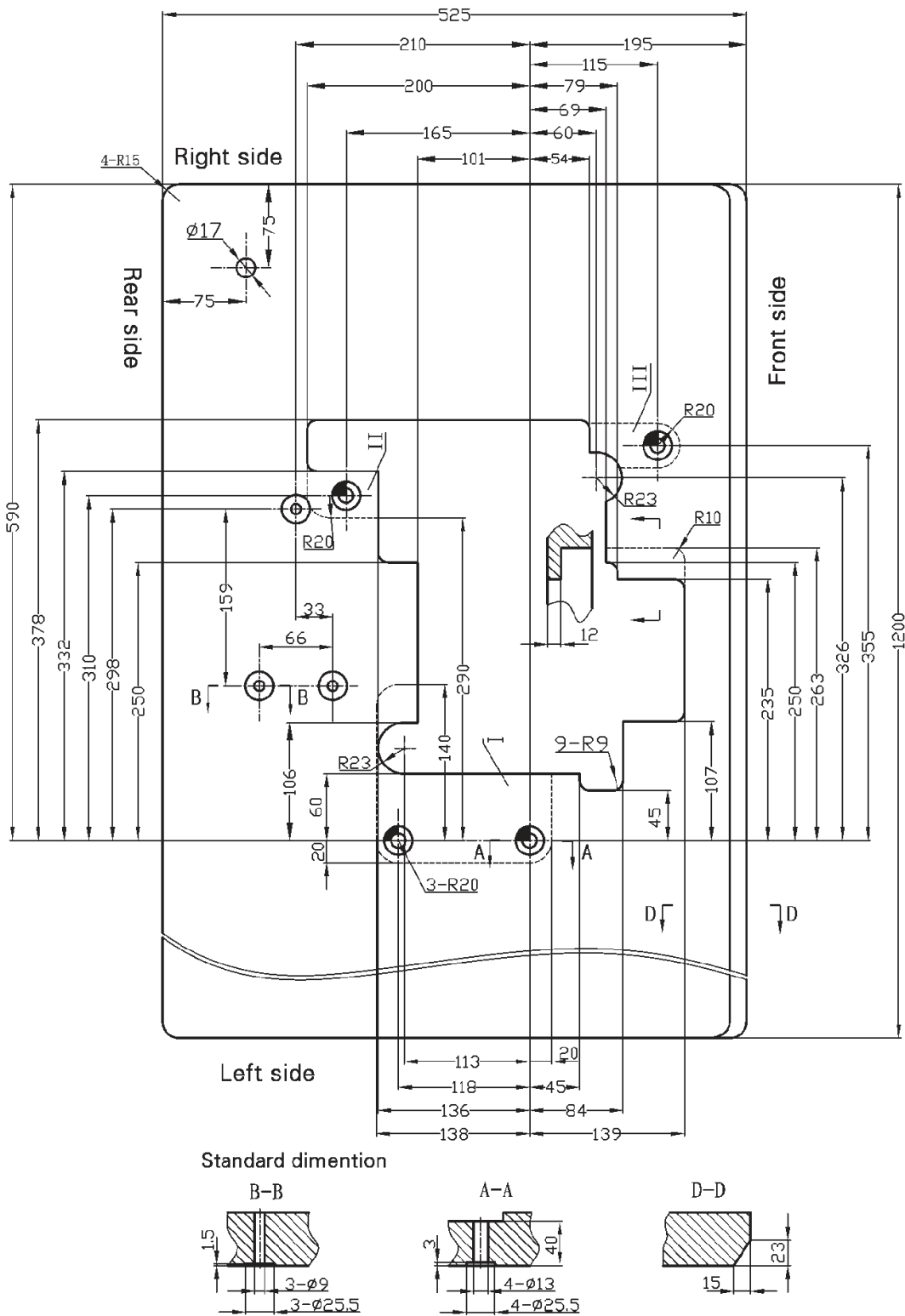
■ MAINTENANCE DURING USE

Cleaning the machine	9
Replacing the needle	9
Checking the oil circulation	10
The check of the filter fix and replace	10
Replacing the oil	11
Replacing the lower knife	11
Adjustment dimensions	12
Standard needle	12

BEFORE OPERATING

Schematic diagram of the machine table

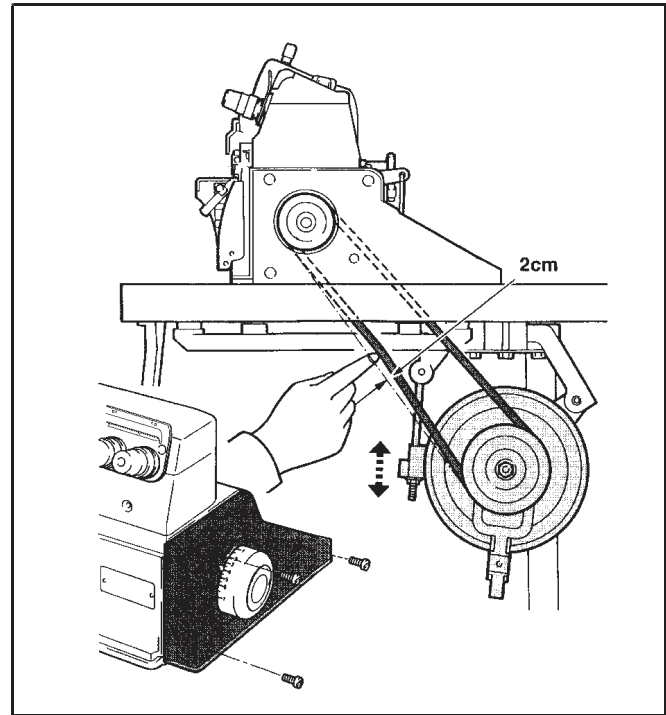
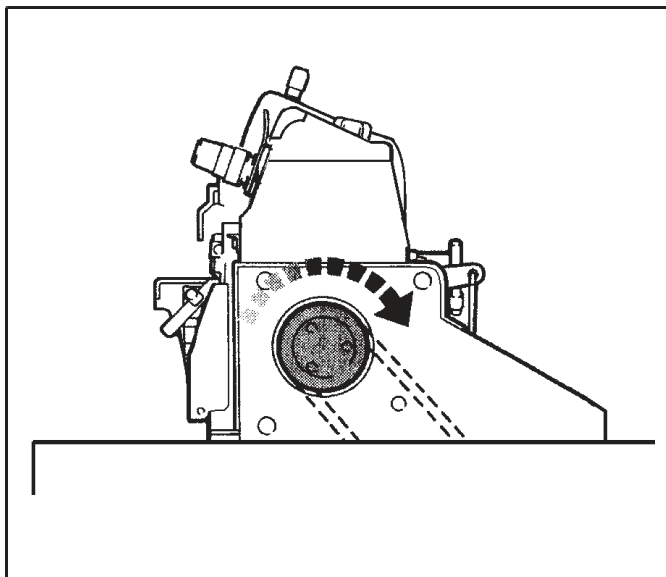
- Cut the table referring to the diagram .



▲ When the thickness of table is more than 40mm, please make process of I II III broken line parts.

BEFORE OPERATING**Instaling the machine head**

1. Mount the machine head on the mahcine rest board.
 2. Adjust the tension of the belt so that it can be about 2cm bent inward when you press the middle of it.
- Adjust the height of the motor to do this.
3. Install the belt cover referring to the Figure.

**BEFORE OPERATING****The machine speed and turning direction**

The machine rotates clockwise when seen from the machine pully side.

Modle	Sewing speed(max) (r.p.m)
GN9504	8500
GN9514	7500
GN9316	7500

- ▲ Make sure your machine type and run it not exceeding the maximum speed as listed in the table.

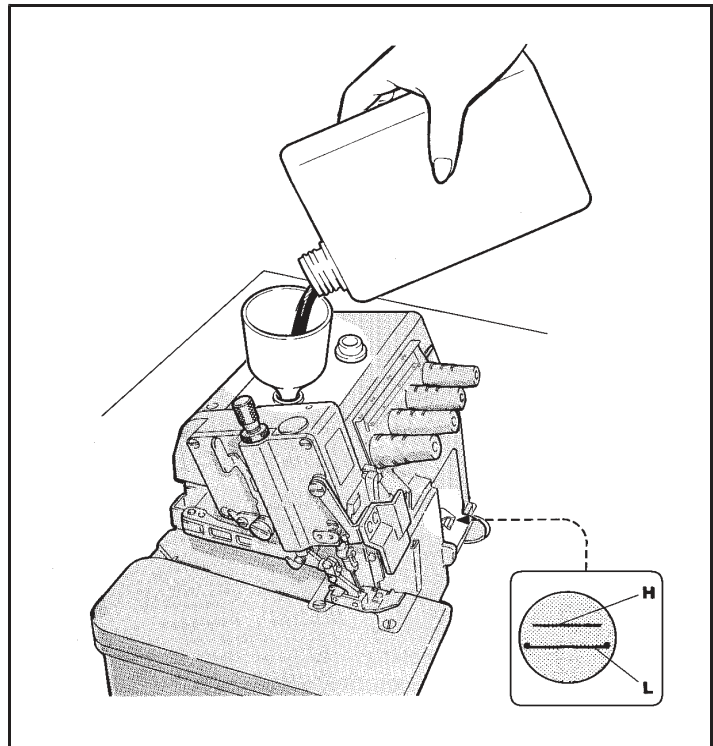
BEFORE OPERATING

Lubrication

After filling the oil pan, the top of oil indicator should lie between (H) and (L) lines.

Add oil, when it reaches or goes below (L).

Note: Use our company recommended oil

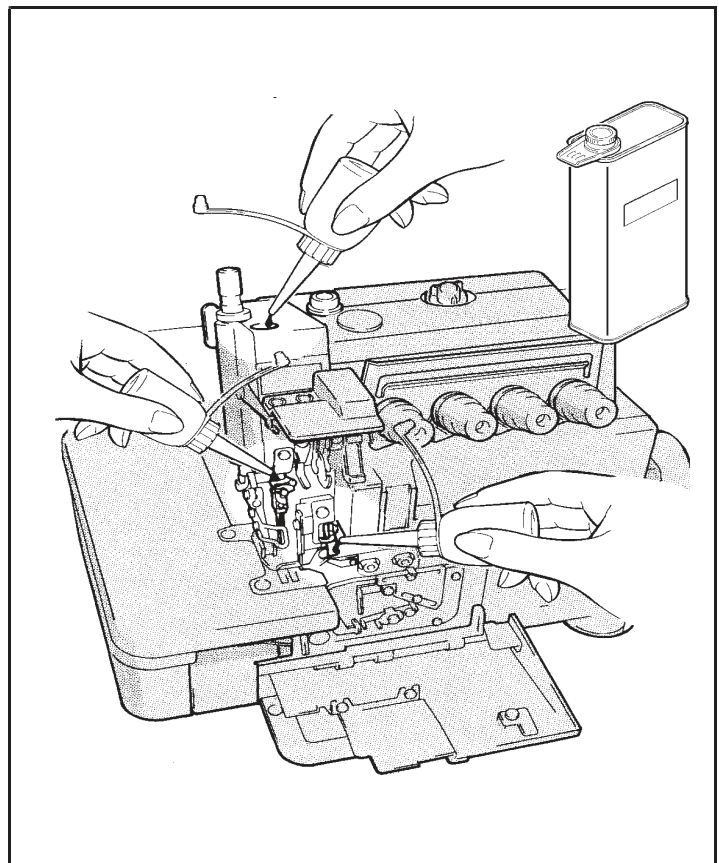


BEFORE OPERATING

Manual lubrication

Apply 2 or 3 drops of oil by hand when the machine is used for the first time or has been left unused for some time.

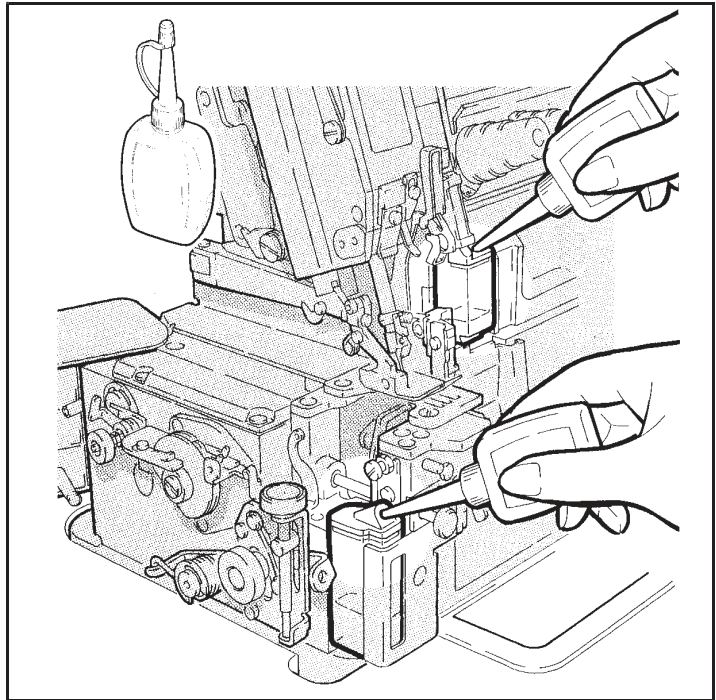
Note: Use our company recommended oil



BEFORE OPERATING

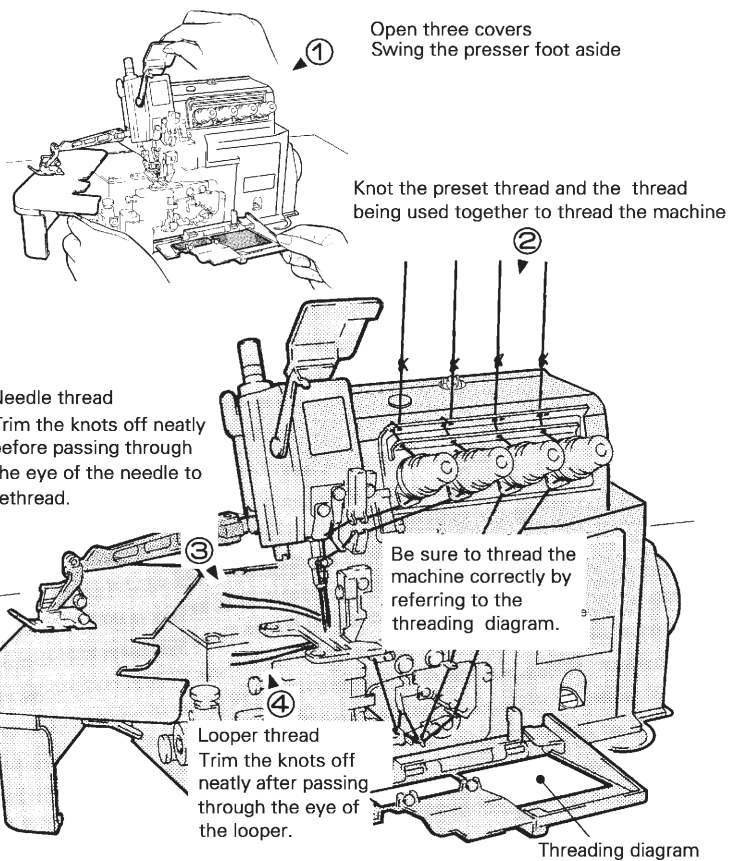
Filling the HR device with silicon oil

Fill the HR device with oil before it is too low in order to prevent needle thread breakage and fabric damage.



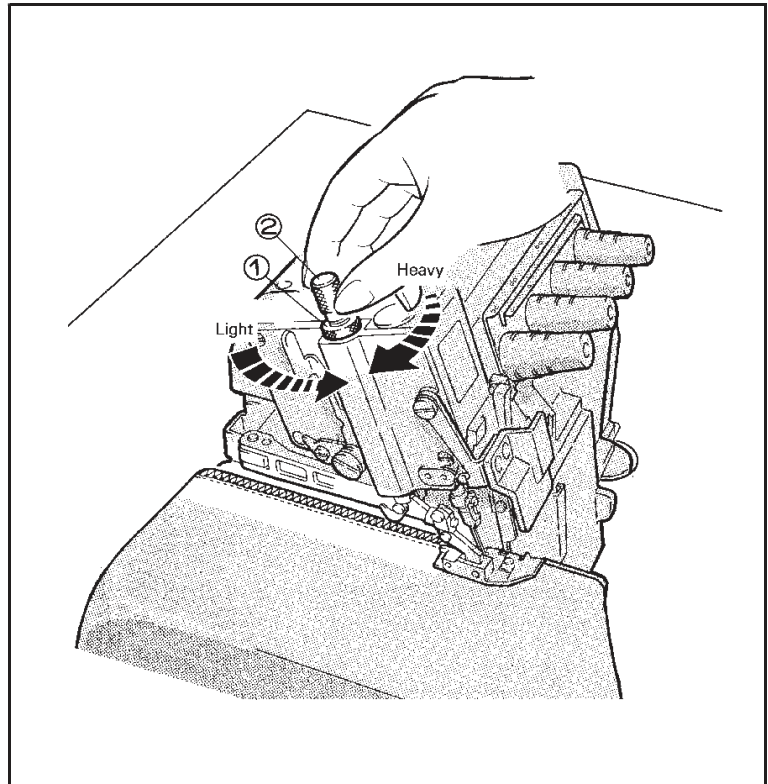
BEFORE OPERATING

Threading

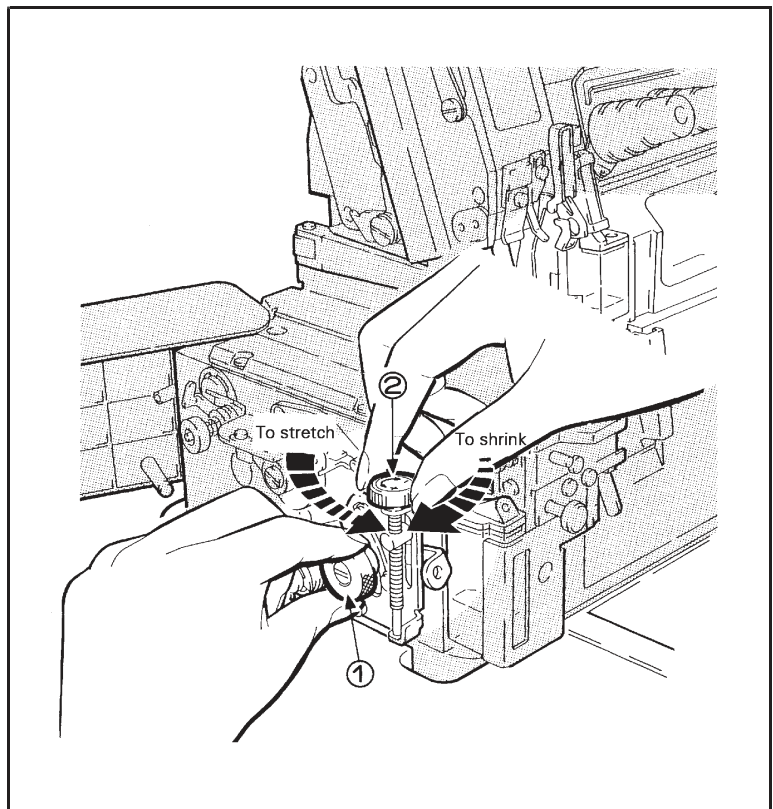


TEST SEWING**Adjusting the presser foot pressure**

Turn adjusting screw to adjust the presser foot pressure. It should be as light as possible, yet be sufficient to obtain the proper stitch formation.

**TEST SEWING****Adjusting the diff.feed ratio**

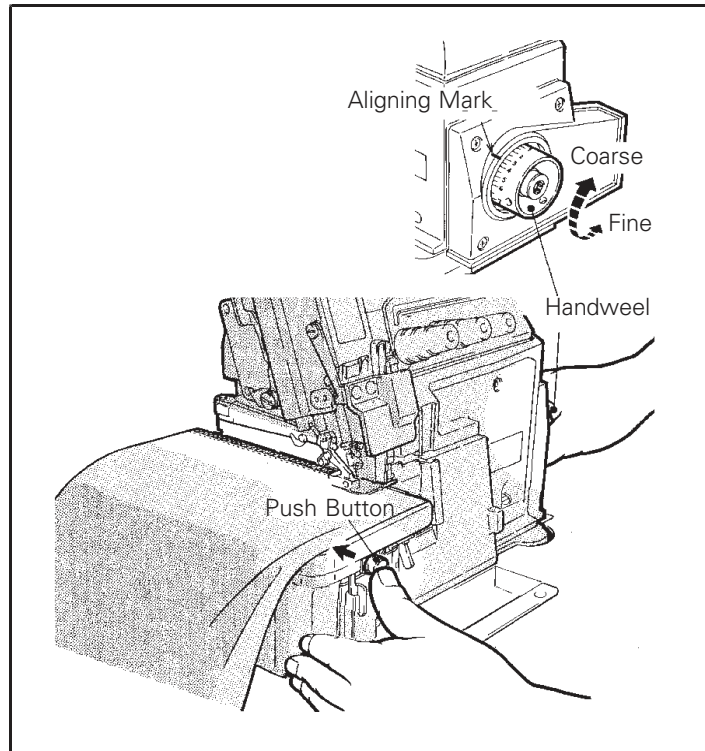
Loosen the nut and move the lever up and down to obtain the correct differential feed ratio. Tighten the nut after positioning the lever as desired.



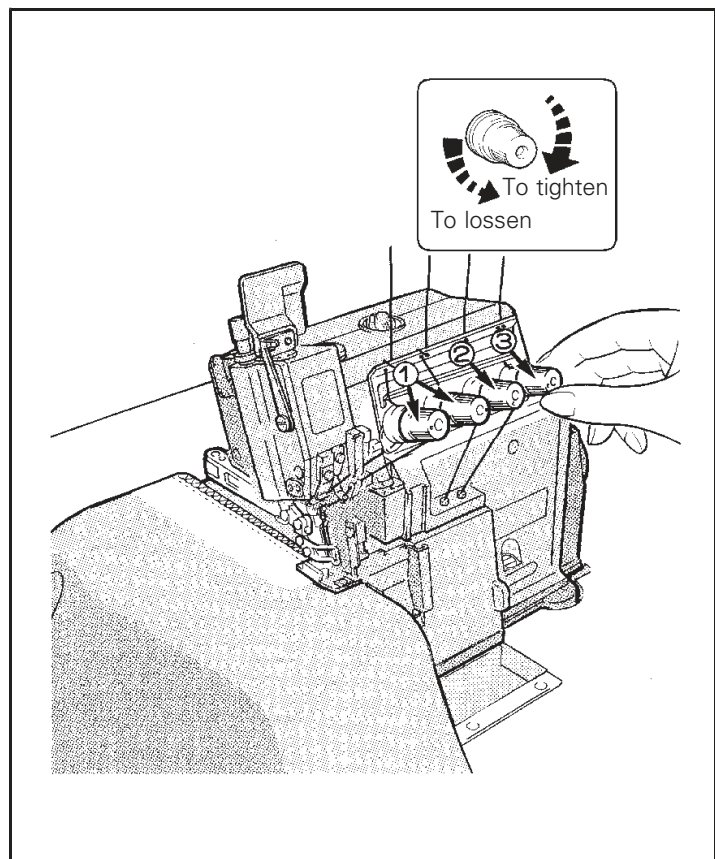
TEST SEWING**Adjusting the stitch length**

1. While pressing the push button, turn the hand-wheel to seek the position at which the push button goes further into the depth.
2. Then, keeping the push button pressed, turn the handwheel and set the desired scale to the aligning mark.

⚠ Note: Stitch length adjustment must only be made after the differential feed ratio has been changed.

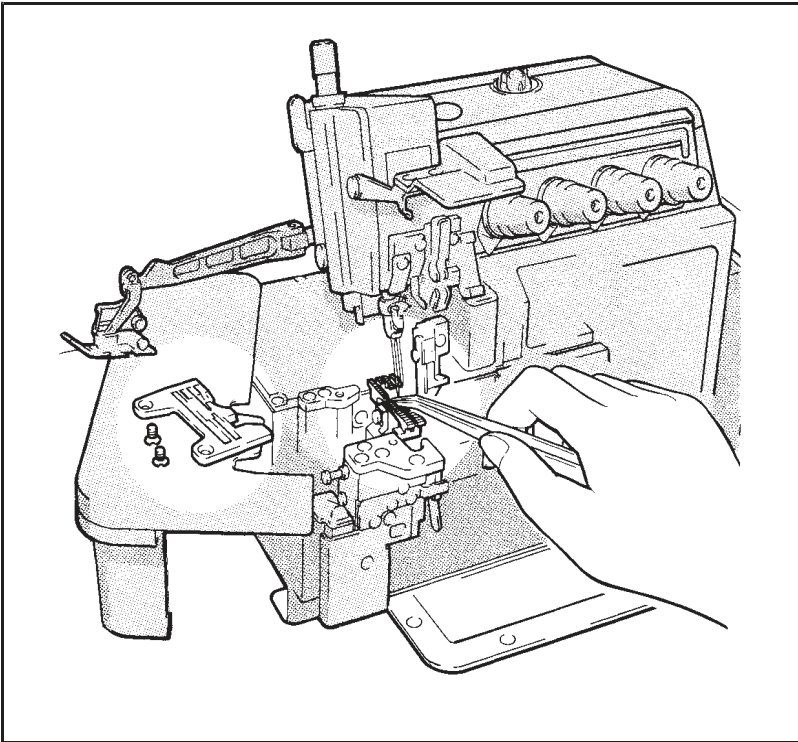
**TEST SEWING****Adjusting the thread tension**

Make tension adjustments with the needle thread knot①, the upper looper knob②, and the lower looper knob③.



MAINTENANCE
DURING USE

Cleaning the machine



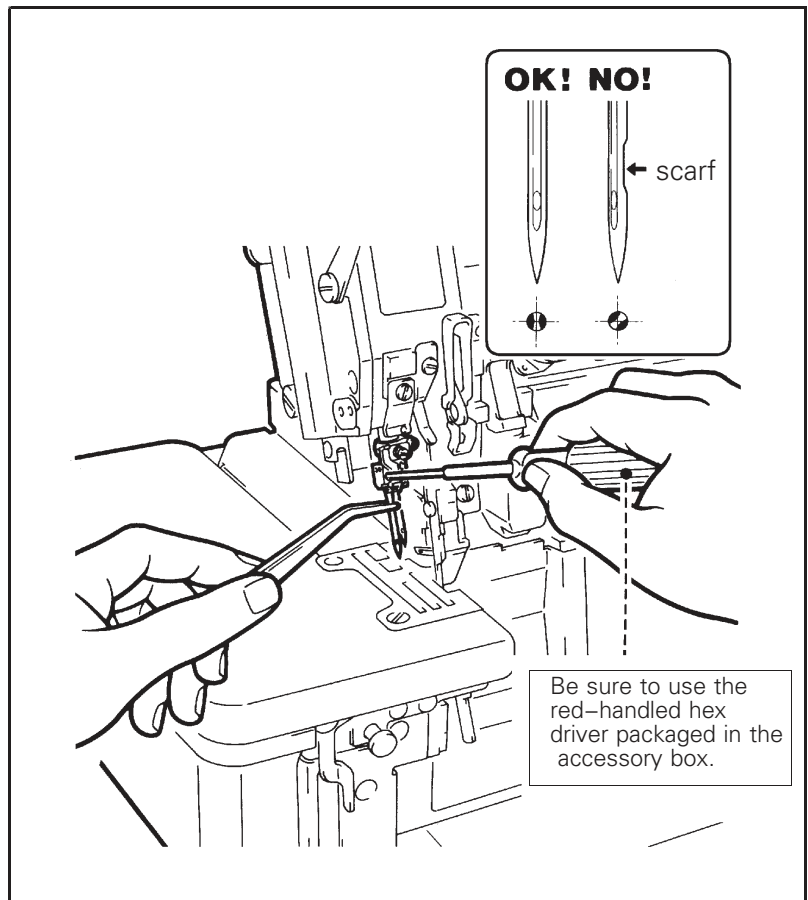
Mainly the slots of the needle plate and the feed rows should be cleaned.

MAINTENANCE
DURING USE

Replacing the needle

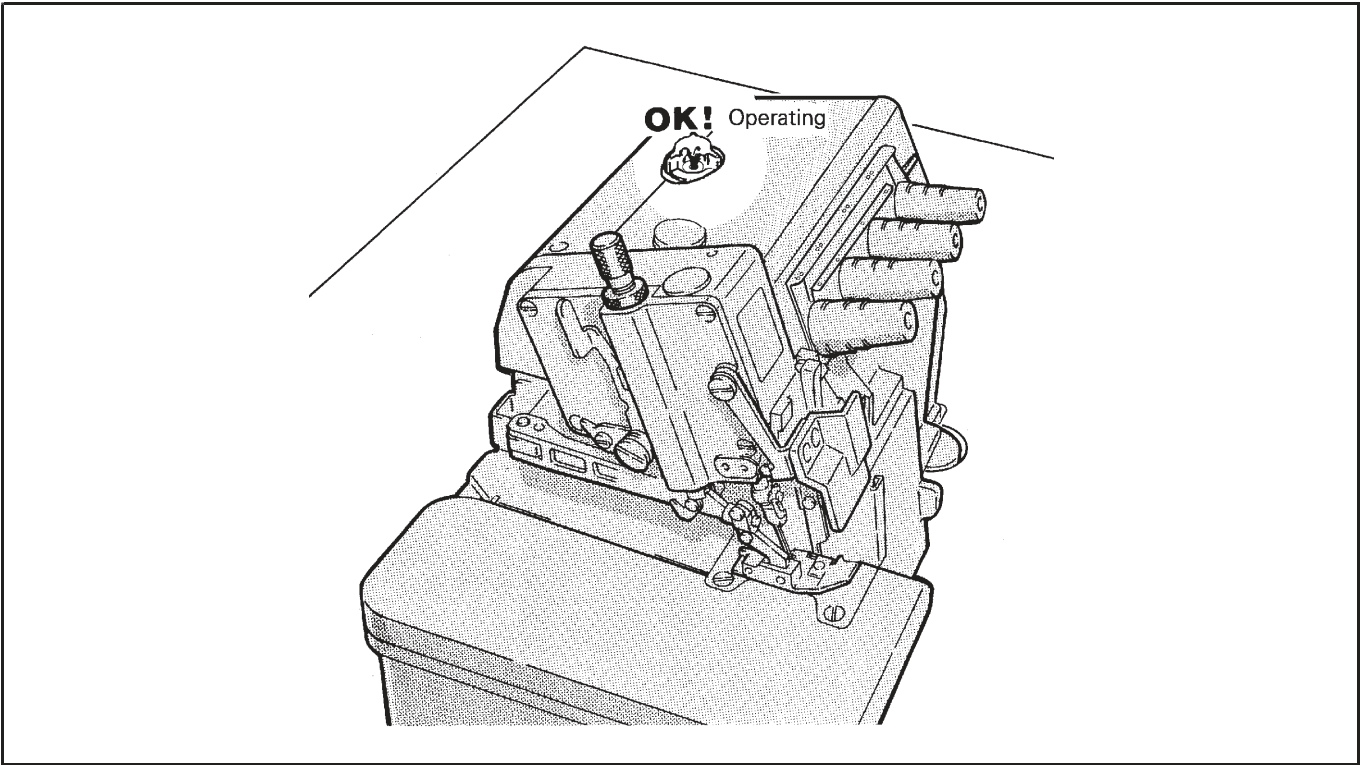
Check the needle carefully to see that the scarf is turned to the rear of the machine. Insert the needle to the proper depth, and fasten securely.

Be sure to use standard needle. Refer to ADJUSTMENT DIMENSIONS on the end of instructions.



MAINTENANCE
DURING USE

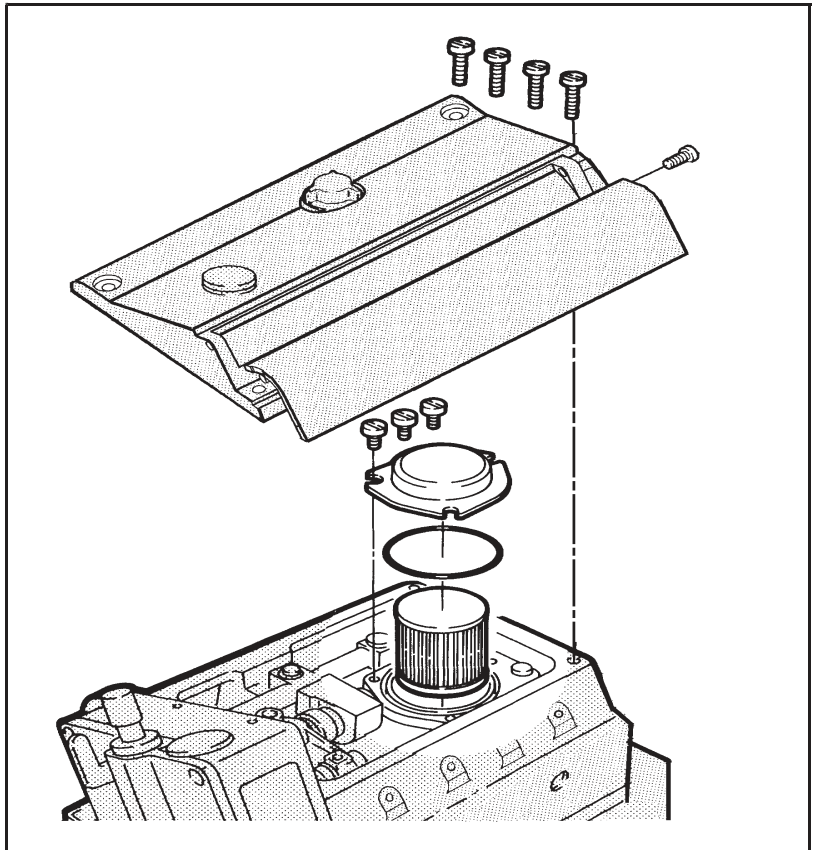
Checking the oil circulation



MAINTENANCE
DURING USE

The check of the filter fixs and replace

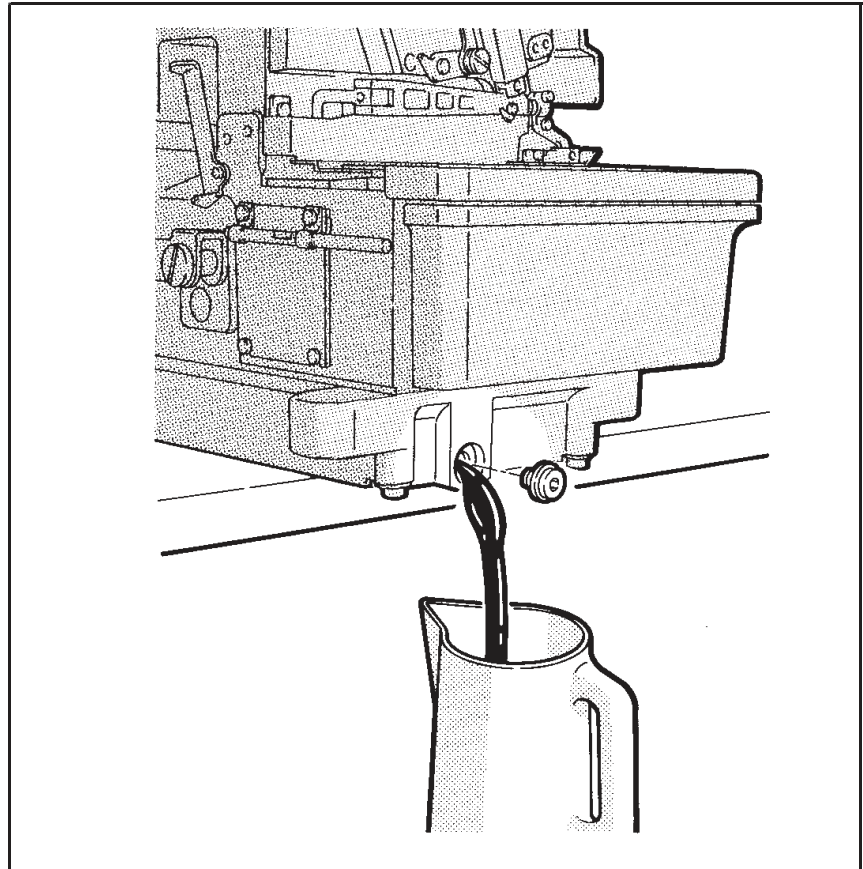
Please clean up the trash or change a new one each 6 months.



MAINTENANCE
DURING USE

Replacing the oil

Replace the oil one month after the first use and every six months thereafter.



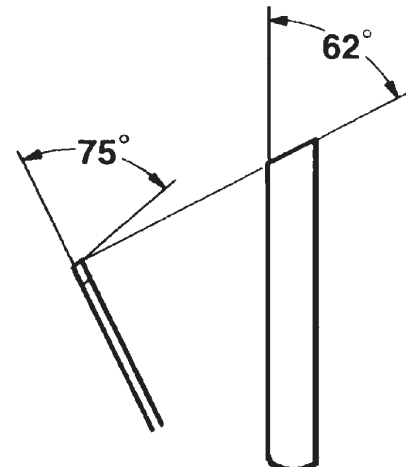
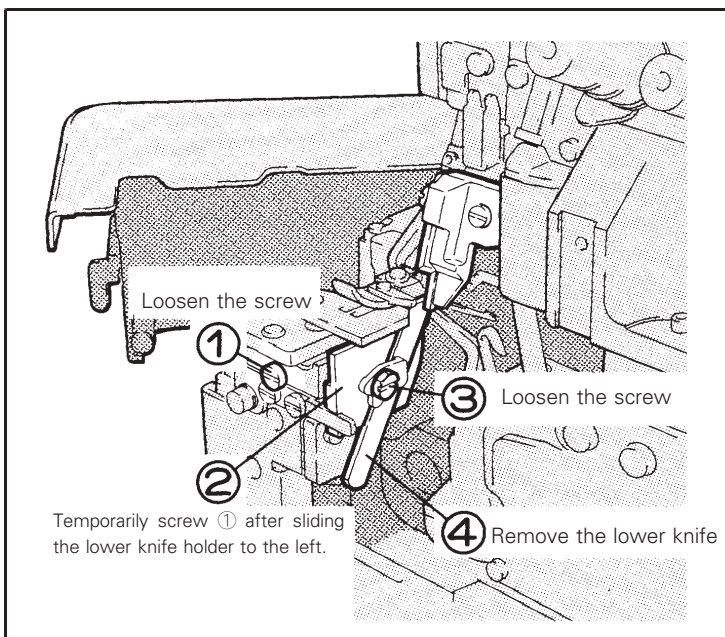
MAINTENANCE
DURING USE

Replacing the lower knife

To remove the lower knife

Temporarily screw ① after sliding the lower knife holder to the left.

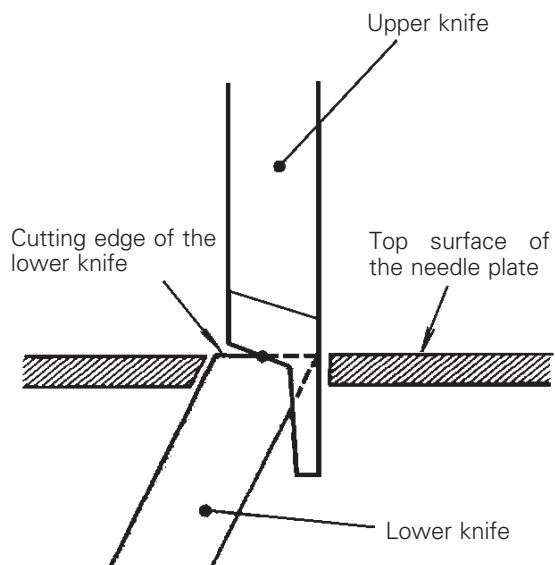
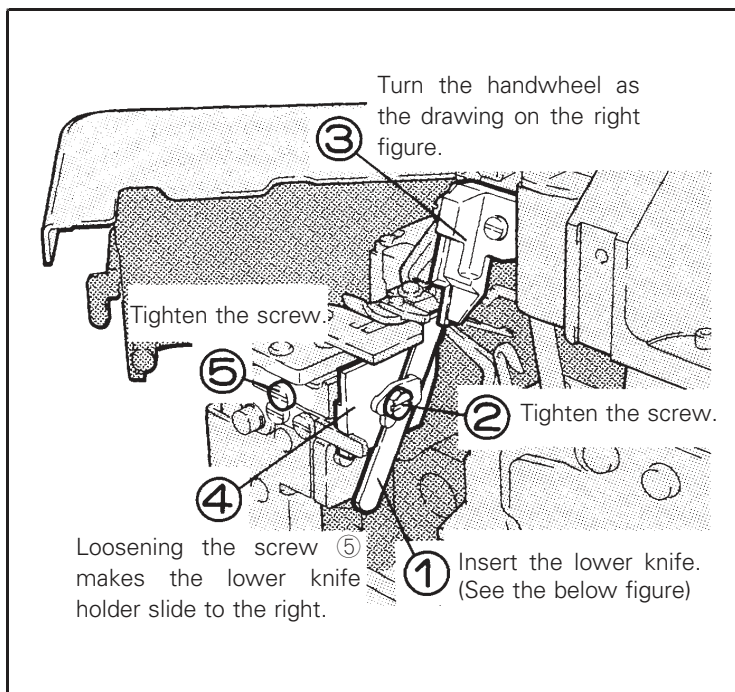
Correct angles to sharpen the lower knife.



**MAINTENANCE
DURING USE**

Replacing the lower knife

To replace the lower knife



Level of A=Level of B
Check cutting action of knives.

Adjustment dimension GN9

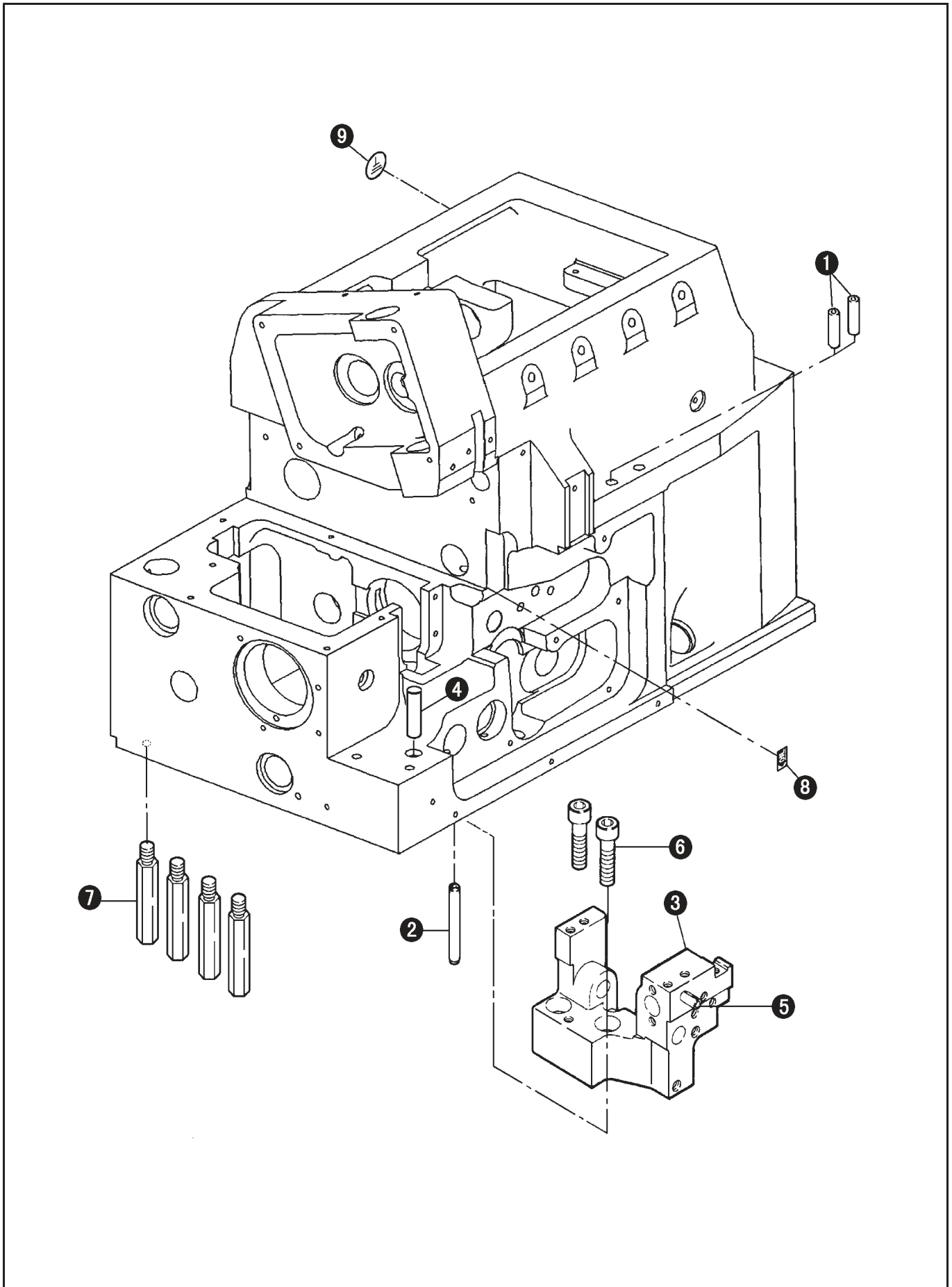
(mm)

GN9504	10.6	4.2	4.5	0.7-2	5.5	
GN9514	10.6	4.6	5.0	0.7-2	5.5	
GN9316	10.6	3.5	4.5	0.7-2	5.5	1.5

GN9 Standard needle

	DCX27
GN9504	11#
GN9514	11#
GN9316	11#

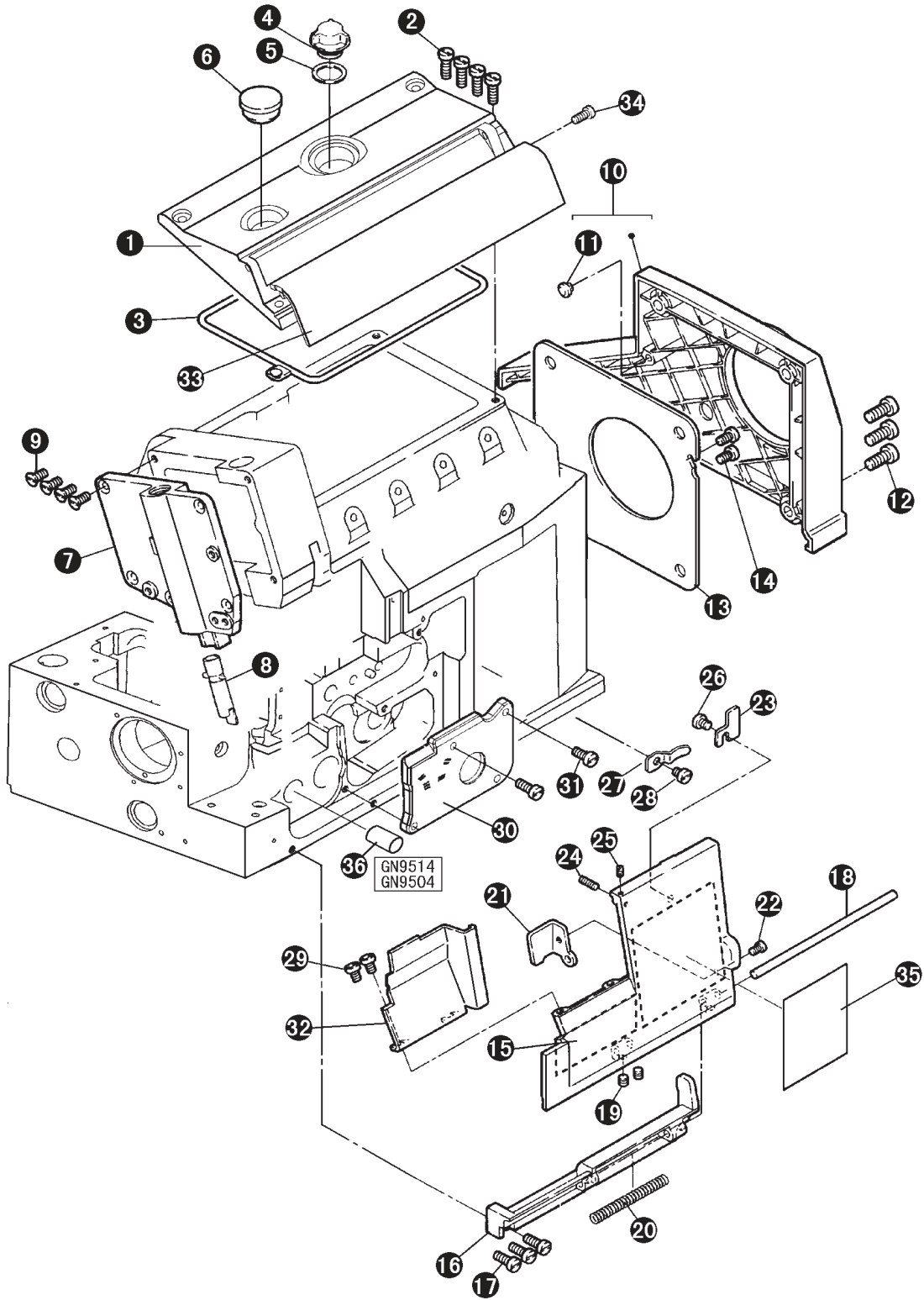
1. MACHINE ARM PARTS(1)



1. MACHINE ARM PARTS (1)

No.	Ret. No.	Description	Qt		
			9504	9514	9316
1	209110004	Thread guide pipe	2	2	2
2	209110003	Pin	1	1	1
3	209120001	Needle plate support bracket	1	1	1
4	209120002	Pin	1	1	1
5	S150446025	Pin	1	1	1
6	S150220016	Screw M6 × 25	2	2	2
7	155100005	Screw	4	4	4
8	155100041	Oil mark	1	1	1
9	036E02002	Earth label	1	1	1

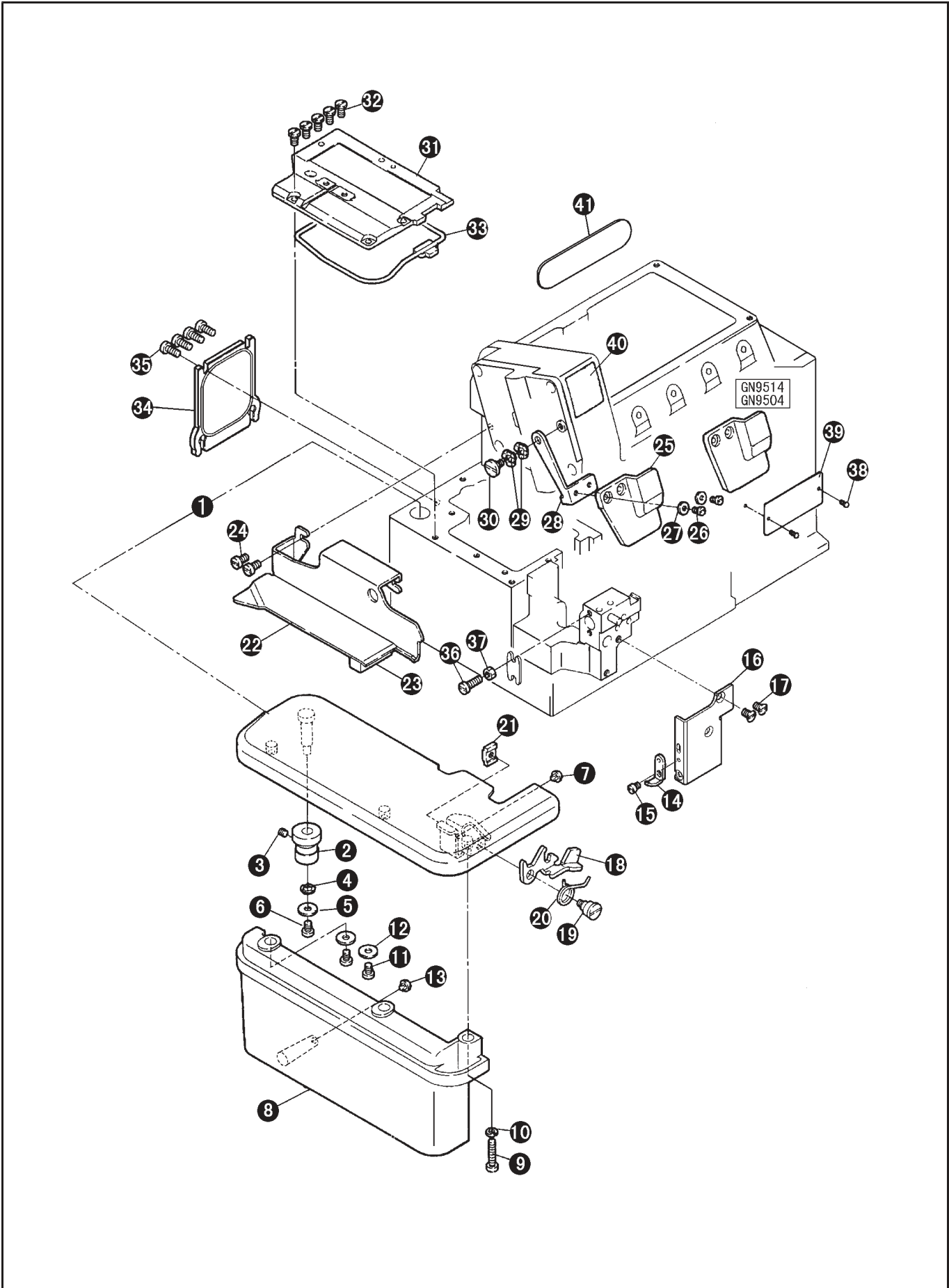
1.MACHINE ARM PARTS (2)



1. MACHINE ARM PARTS (2)

No.	Ret. No.	Description	Qt		
			9504	9514	9316
1	209100001	Top cover	1	1	1
2	S150237003	Screw M4X14	4	4	4
3	209100002	Gasket	1	1	1
4	155100030	Oil monitor	1	1	1
5	155100031	Packing	1	1	1
6	209100004	Plug	1	1	1
7	209100006	Frame side cover	1	1	1
8	209710001	Presser bar	1	1	1
9	S150218019	Screw M6X10	4	4	4
10	209130000	Belt cover	1	1	1
11	155100027	Cushion rubber	1	1	1
12	S150237028	Screw M6X16	3	3	3
13	209100007	Cooling fan guard	1	1	1
14	S150237006	Screw M4X8	2	2	2
15	209140005	Front cover (L)	1	1	1
16	209140001	Front cover hinge	1	1	1
17	S150237004	Screw M4X12	3	3	3
18	155120002	Front cover hinge shaft	1	1	1
19	B12400432	Screw M4X4	2	2	2
20	155120003	Spring	1	1	1
21	155120007	Latch	1	1	1
22	S150217009	Screw M3X4	1	1	1
23	209140003	Latch	1	1	1
24	S150224023	Screw M3X12	1	1	1
25	S150224024	Screw M3X4	1	1	1
26	S150237002	Screw M4X5	1	1	1
27	155100013	Plate spring	1	1	1
28	S150237007	Screw M4X6	1	1	1
29	S150237007	Screw M4X6	2	2	2
30	209100008	Cover	1	1	1
31	S150237004	Screw M4X12	4	4	4
32	209140004	Front cover			1
	210140001	Front cover	1	1	
33	209100020	Latch	1	1	1
34	S150237006	Screw M4X8	1	1	1
35	209100022	Threading diagram			1
	209100023	Threading diagram			1
	210100004	Threading diagram		1	
	211100002	Threading diagram	1		
36	028160001	Rubber plug	1	1	

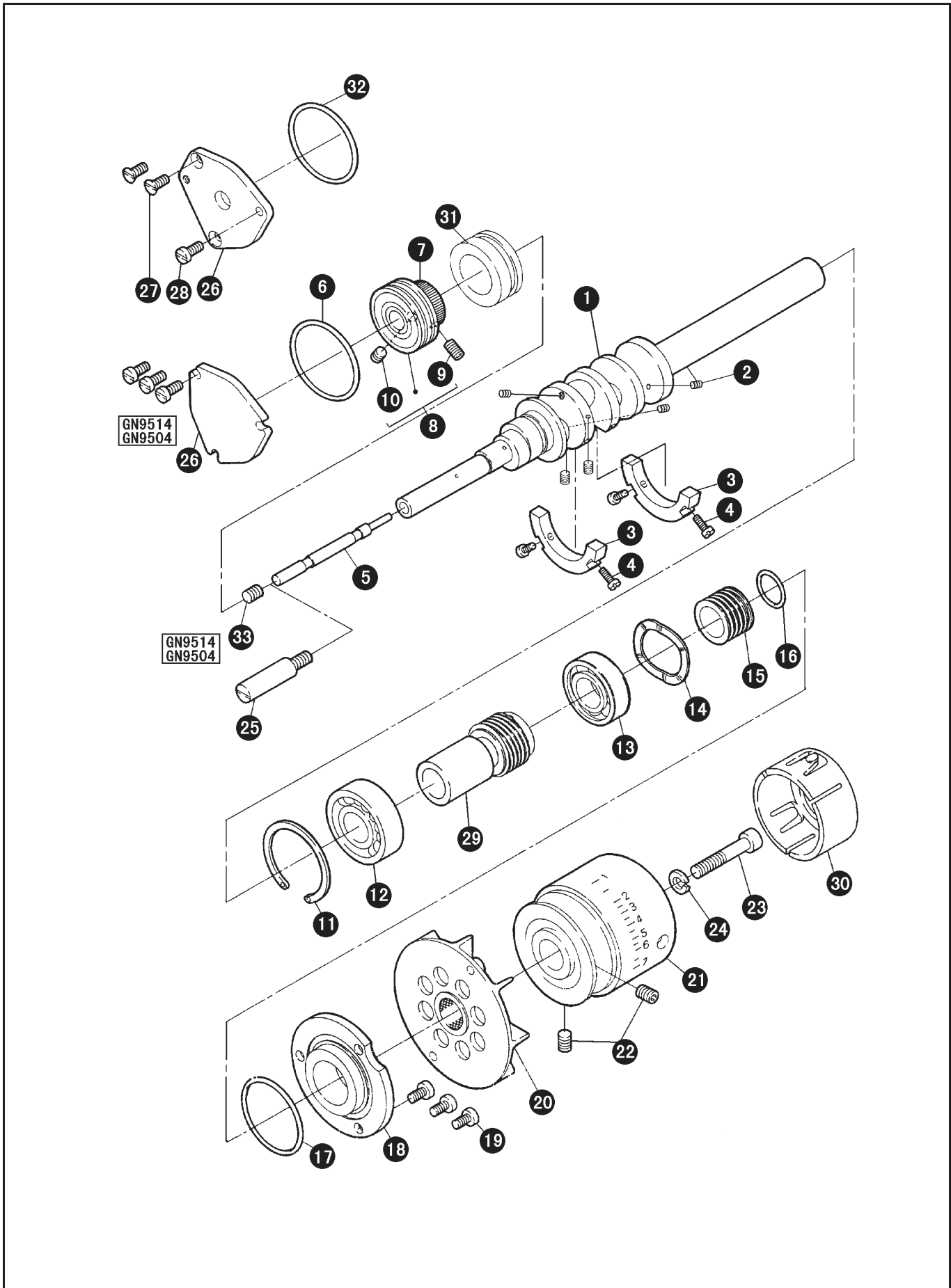
1. MACHINE ARM PARTS (3)



1. MACHINE ARM PARTS (3)

No.	Ret. No.	Description	Qt		
			9504	9514	9316
1	209151000	Cloth plate			1
	209151000	Cloth plate (wide)	1	1	
	210151000	Cloth plate (Narrow)	1	1	
2	155130001	Cloth plate shaft bush	1	1	1
3	B12400432	Screw M4X4	1	1	1
4	155100025	Wave spring	1	1	1
5	155500010	Washer	1	1	1
6	S150237007	Screw M4X6	1	1	1
7	155100027	Cushion rubber	2	2	2
8	209150001	Side cover			1
	209150001	Side cover (wide)	1	1	
	210150001	Side cover (Narrow)	1	1	
9	S150237014	Screw M4X20	1	1	
		Screw M4X16			1
10	S8A3103011	Spring washer 4	1	1	1
11	S150237007	Screw M4X6	2	2	2
12	155130008	Washer	2	2	2
13	155100027	Cushion rubber	1	1	1
14	155140002	Plate spring	1	1	1
15	S150217008	Screw M3.5X4	1	1	1
16	209160001	Direction guide plate	1	1	1
17	S120205003	Screw M4X8	2	2	2
18	155130003	Latch lever for cloth plate	1	1	1
19	155130005	Screw	1	1	1
20	155130004	Spring	1	1	1
21	155130006	Nut	1	1	1
22	209170001	Fabric guide	1	1	1
23	209170002	Cushion	1	1	1
24	S150237006	Screw M4X8	2	2	2
25	209100010	Eye guard			1
	210100002	Eye guard	1	1	
26	S150217015	Screw M3X6	2	2	2
27	S8A3103002	Washer 3	2	2	2
28	209100011	Eye guard support plate	1	1	1
29	155100024	Screw	1	1	1
30	155100025	Wave spring	2	2	2
31	209100012	Feed bar cover	1	1	1
32	155100033	Screw M4 × 8	5	5	5
33	209100013	Rubber ring	1	1	1
34	209100015	Back cover for feed mechanism	1	1	1
35	S150237004	Screw M4X12	4	4	4
36	142100018	Screw M4X16	1	1	1
37	S120501003	Nut 4	1	1	1
38	BXF8899009	Rivet	2	2	2
39	198000013	Modle plate	1	1	1
40	209100016	Trade mark plate	1	1	1
41	160D112001	Decorative brand	1	1	1

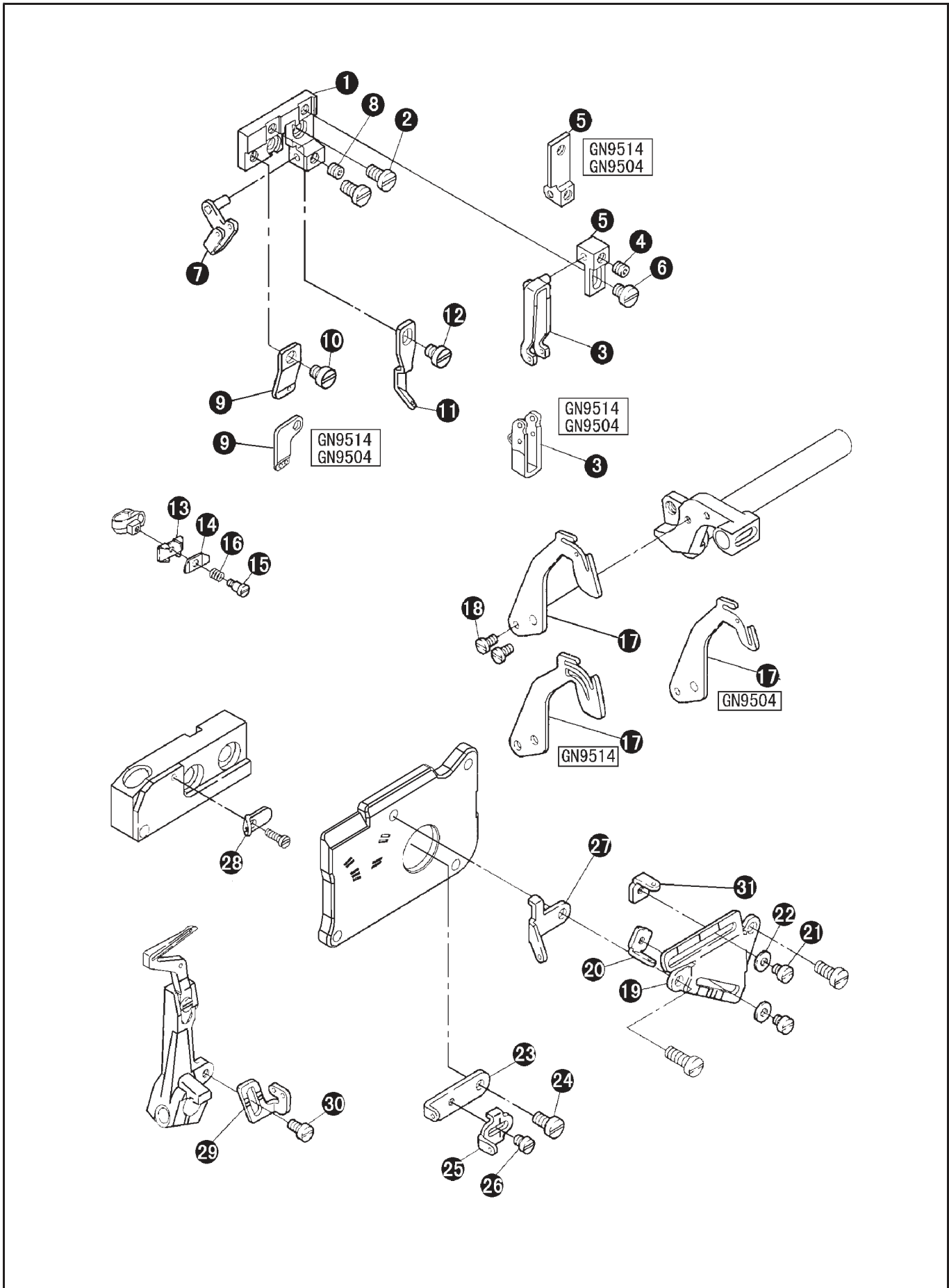
2.CRANK SHAFT PARTS



2. CRANK SHAFT PARTS

No.	Ret. No.	Description	Qt		
			9504	9514	9316
1	209211000	Crank shaft	1	1	1
2	S150224013	Screw M3X3	5	5	5
3	209200008	Balance weight	2	2	2
4	S150217012	Screw M3X8	4	4	4
5	209210001	Pin			1
	210110001	Pin	1	1	
6	209221002	O-type ring	2	2	2
7	155220001	Ratchet wheel	1	1	1
8	209221000	Ball bearing (L) , assy	1	1	1
9	S150224006	Screw M5X10	1	1	1
10	B12500532	Screw M5X5	1	1	1
11	209200009	Ring	1	1	1
12	S150866066	Ball bearing (middle)	1	1	1
13	S150866044	Screw Ball bearing (right)	1	1	1
14	209200001	Washer	1	1	1
15	209200002	Crank shaft oil reject	1	1	1
16	S150656031	O-type ring 17 × 1.8	1	1	1
17	S150656032	O-type ring 40 × 1.8	1	1	1
18	209200003	Bearing presser	1	1	1
19	S150237043	Screw M4X10	3	3	3
20	209200004	Cooling fan	1	1	1
21	2092a0001	Machine pulley	1	1	1
22	S150224003	Screw M6X8	2	2	2
23	S150220052	Screw M6X35	1	1	1
24	S4A0400011	Spring washer 6	1	1	1
25	155200001	Crank shaft extension	1	1	1
26	209200007	Bearing cap			1
	210200001	Bearing cap	1	1	
27	S120205003	Screw M4X8	2	2	2
28	S150217007	Screw M4X8	1	1	1
29	209200005	Spacer	1	1	1
30	2092a0002	Cover	1	1	1
31	209200006	Crank shaft bush (M)	1	1	1
32	S150656017	O-type ring 38.7 × 2.65	1	1	1
33	B12060632	Screw M6X6	1	1	

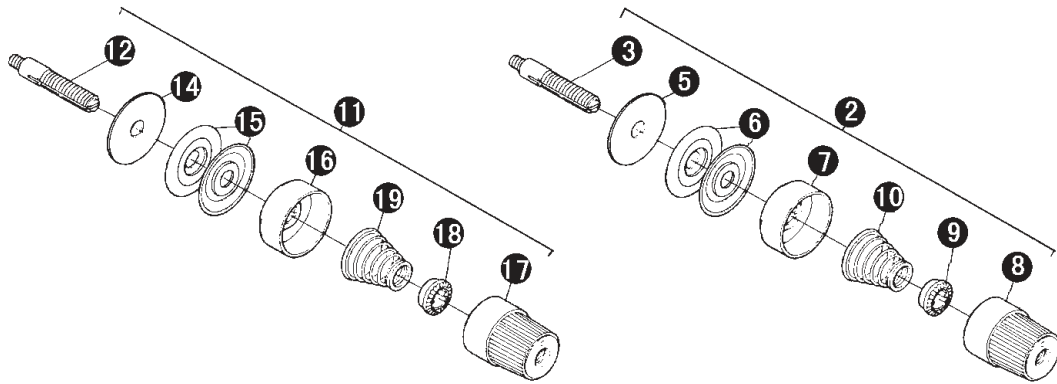
3. THREAD EYELETS (1)



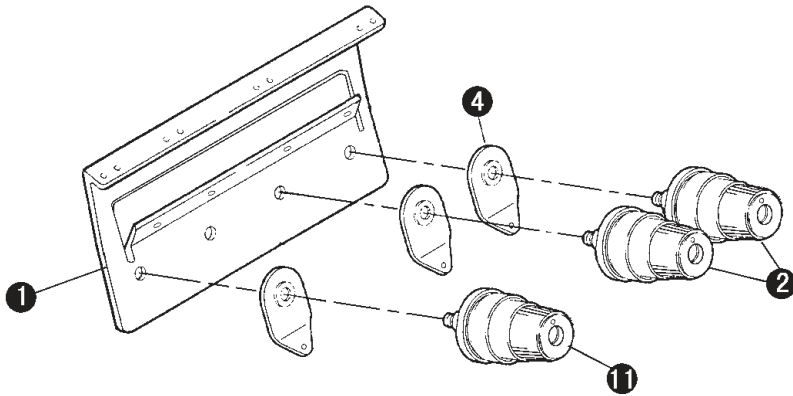
3. THREAD EYELETS (1)

No.	Ret. No.	Description	Qt		
			9504	9514	9316
1	209900002	Bracket			1
2	155100034	Screw M4X8			2
3	209900003	Thread guide			1
	210800000	Thread guide	1	1	
4	B12400432	Screw M4X4	1	1	1
5	209900004	Bracket			1
	210800002	Bracket	1	1	
6	S150217017	Screw M4X5	1	1	1
7	209900005	Thread guide			1
	210800003	Thread guide	1	1	
8	B12400432	Screw M4X4	1	1	1
9	209900006	Thread guide			1
	210800003	Thread guide	1	1	
10	S150217017	Screw M4X5	1	1	1
11	209900007	Thread guide	1	1	1
12	S150217017	Screw M4X5	1	1	1
13	209280003	Bracket	1	1	1
14	209280002	Thread retaining plate	1	1	1
15	209280005	Screw (M2)	1	1	1
16	209280004	Spring	1	1	1
17	209900008	Thread takeup lever			1
	210800004	Thread takeup lever		1	
	211800001	Thread takeup lever	1		
18	S150217015	Screw M3X6	2	2	2
19	209900009	Bracket	1	1	1
20	209900010	Thread guide	1	1	1
21	S120202007	Screw M3X5	2	2	2
22	S8A3103002	Washer	2	2	2
23	209900011	Thread take-up	1	1	1
24	S150215001	Screw M4X8	1	1	1
25	209900012	Thread guide	1	1	1
26	S120202007	Screw M3X5	1	1	1
27	209900013	Thread guide plate	1	1	1
28	209330007	Thread guide	1	1	1
29	209900014	Thread guide	1	1	1
30	209400013	Screw M3.5X6.5	1	1	1
31	209900015	Thread guide	1	1	1

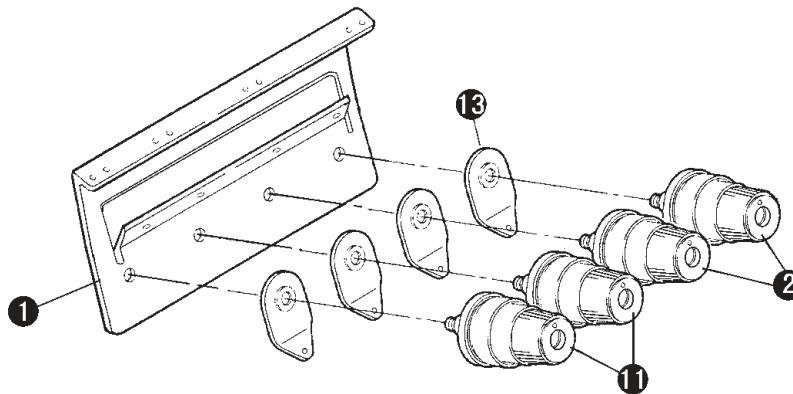
3. THREAD EYELETS (2)



GN9504



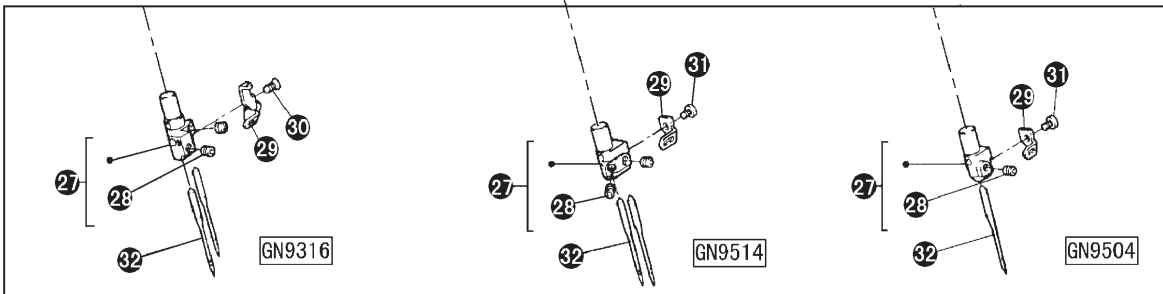
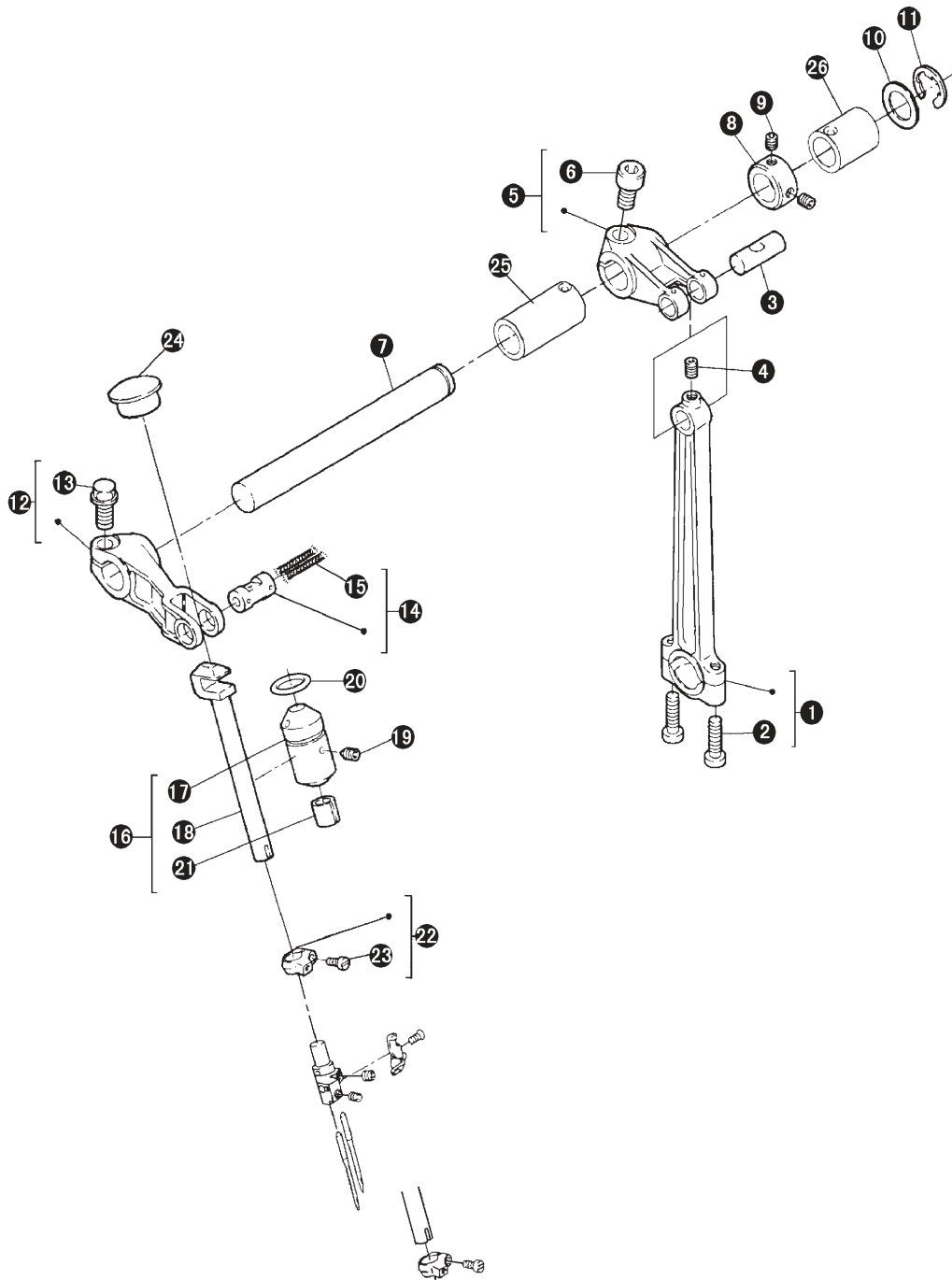
GN9514
GN9316



3. THREAD EYELETS (2)

No.	Ret. No.	Description	Qt		
			9504	9514	9316
1	209910001	Thread guide plate	1	1	1
2	209911000	Tension nut complete	2	2	2
3	155A10003	Post	1	1	1
4	028283008	Tension guide plate	1	1	1
5	028283007	Felt	1	1	1
6	022160005	Tension disc	2	2	2
7	155A10008	Cup	1	1	1
8	155A10009	Post nut	1	1	1
9	155A10007	Spring bushing	1	1	1
10	155A10005	Tension Spring (ϕ 1)	1	1	1
11	209912000	Tension nut complete (middle)	1	2	2
12	155A10003	Post	1	1	1
13	028283008	Tension guide plate	1	1	1
14	028283007	Felt	1	1	1
15	022160005	Tension disc	2	2	2
16	155A10008	Cup	1	1	1
17	155A10009	Post nut	1	1	1
18	155A10007	Spring bushing	1	1	1
19	155A10006	Tension Spring (ϕ 0.8)	1	1	1

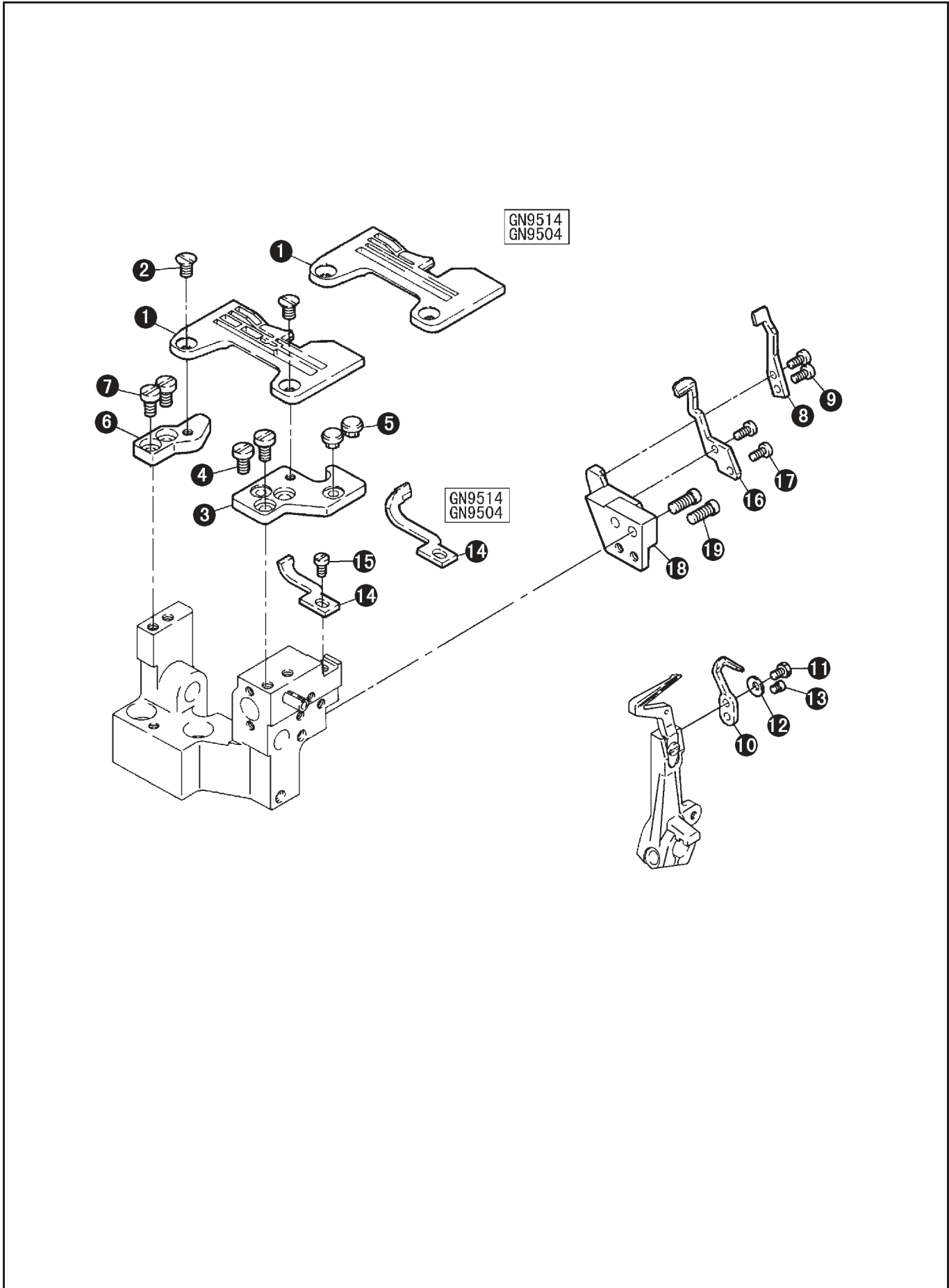
4.NEEDLE BAR PARTS (1)



4.NEEDLE BAR PARTS (1)

No.	Ret. No.	Description	Qt		
			9504	9514	9316
1	209230000	Needle drive crank rod assy	1	1	1
2	B62401612	Screw M4X16	2	2	2
3	155300023	Pin	1	1	1
4	S150224009	Screw M4X6	1	1	1
5	209240000	Upper shaft crank complete	1	1	1
6	155300017	Screw	1	1	1
7	209200010	Upper shaft	1	1	1
8	209200011	Set collar	1	1	1
9	B12400432	Screw M4X4	2	2	2
10	155600002	Washer	1	1	1
11	S150649003	Retaining ring 8	1	1	1
12	209250000	Needle bar crank	1	1	1
13	155400010	Screw	1	1	1
14	209260000	Shaft assy	1	1	1
15	155320002	Oil wick	2	2	2
16	209270000	Bushing assy	1	1	1
17	209171001	Bush	1	1	1
18	209270001	Needle bar	1	1	1
19	B120215306	Screw M4X4	1	1	1
20	209500017	O-type ring 11.8 × 1.5	1	1	1
21	209271002	Felt	1	1	1
22	209280000	Holder	1	1	1
23	209280006	Screw M3X6	1	1	1
24	155500017	Oil seal	1	1	1
25	209200012	Bush	1	1	1
26	209200013	Bush	1	1	1
27	209290000	Needle holder assy			1
	210290000	Needle holder assy		1	
	211210000	Needle holder assy	1		
28	209290002	Screw M3X3	1	2	2
29	209200014	Thread guide			1
	210200002	Thread guide		1	
	211210002	Thread guide	1		
30	S150218018	Screw M2X5			1
31	S150217004	Screw M2X5	1	1	
32	DC×27	Needle	1	2	2

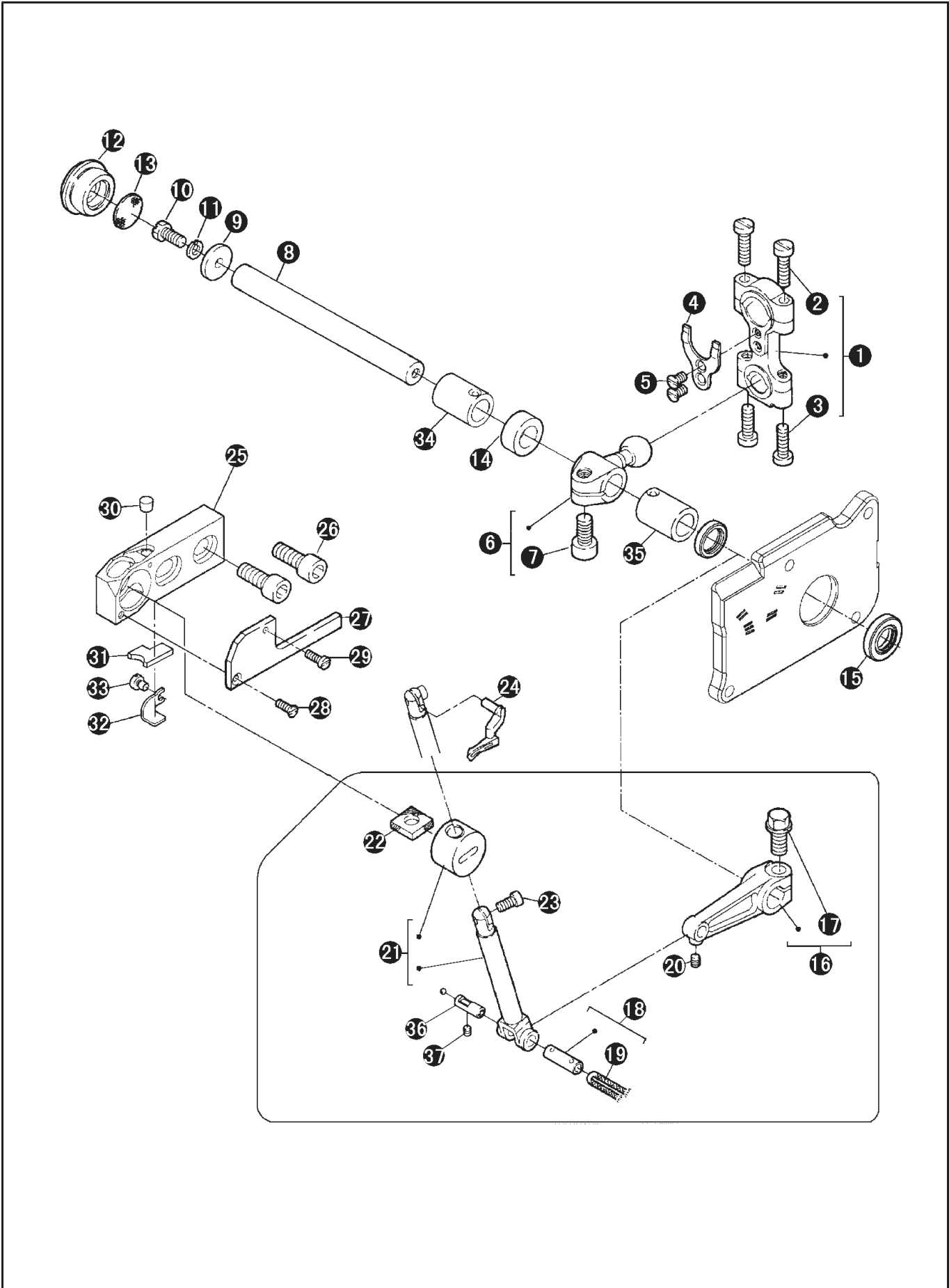
4. NEEDLE BAR PARTS (2)



4. NEEDLE BAR PARTS (2)

No.	Ret. No.	Description	Qt		
			9504	9514	9316
1	209200015	Needle plate 3 × 4			1
	210200003	Needle plate 2 × 4		1	
	211200002	Needle plate 4	1		
2	209200017	Screw M4 × 7.5	2	2	2
3	209200018	Needle plate bracket (front)	1	1	1
4	B62400812	Screw M4 × 8	2	2	2
5	155100027	Cushion rubber	2	2	2
6	209200019	Needle plate bracket (rear)	1	1	1
7	B62400812	Screw M4 × 8	2	2	2
8	209200020	Needle guard (front)			1
9	S8A3101005	Screw M3 × 6			2
10	209200021	Movalbe needle guard	1	1	1
11	S120104001	Screw M3 × 5	1	1	1
12	S150643003	Washer 3	1	1	1
13	209200023	Screw M3	1	1	1
14	209200024	Chain stitch needle guard (front)			1
	210200006	Chain stitch needle guard (front)	1	1	
15	S150217007	Screw M4 × 8	1	1	1
16	209200025	Chain stitch needle guard (rear)			1
17	S8A3101005	Screw M3 × 6			2
18	209200026	Bracket			1
19	209200027	Screw M4 × 10			2

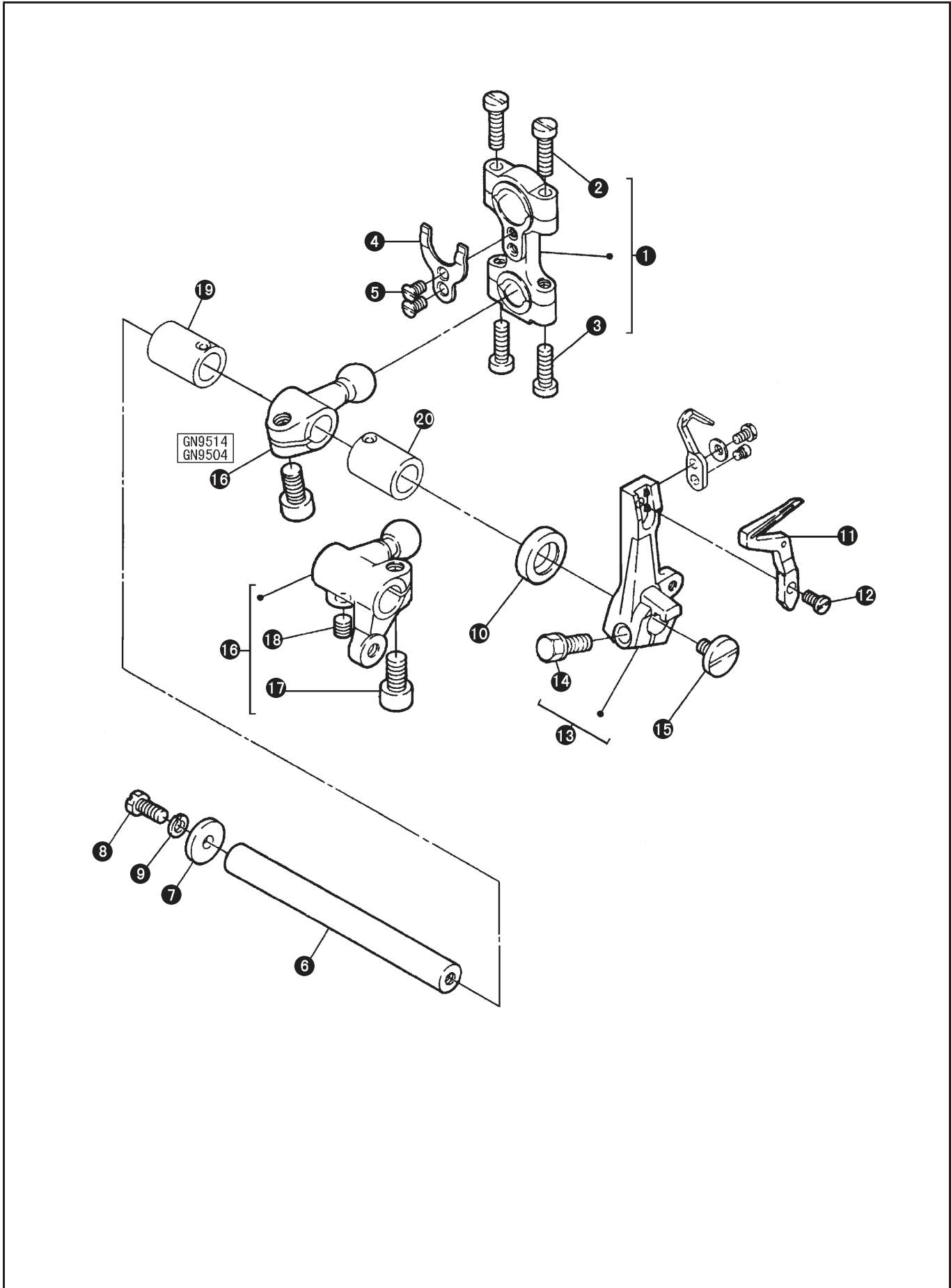
5. UPPER LOOPER PARTS



5. UPPER LOOPER PARTS

No.	Ret. No.	Description	Qt		
			9504	9514	9316
1	209310000	Looper ball link complete	1	1	1
2	B62401612	Screw M4x16	2	2	2
3	B62401012	Screw M4x10	2	2	2
4	209300001	Guide	1	1	1
5	S150218006	Screw M3×6	2	2	2
6	209320000	Upper looper ball crank complete	1		1
	210350000	Upper looper ball crank complete		1	
7	155300017	Screw M6×12	1	1	1
8	209300002	Shaft	1	1	1
9	155400005	Washer	1	1	1
10	S150204004	Screw M5×10	1	1	1
11	S8A3103012	Spring washer5	1	1	1
12	209300003	Rubber plug	1	1	1
13	209300004	Filter	1	1	1
14	209300005	Spacer	1	1	1
15	028330001	Oil seal	1	1	1
16	209330002	Upper looper crank	1	1	1
17	155400010	Screw M6×2	1	1	1
18	155430000	Upper looper holder assy	1	1	1
19	155430002	Oil wick	1	1	1
20	S150225005	Screw M3×4	1	1	1
21	209331000	Upper looper holder assy	1	1	1
22	155400013	Oil felt	1	1	1
23	209330005	Screw M3.5x6	1	1	1
24	209300007	Upper looper	1		1
	210300001	Upper looper		1	
25	209330001	Upper looper holder base	1	1	1
26	B18061632	Screw M6×16	2	2	2
27	209330006	Over looper guide cover	1	1	1
28	S150218001	Screw M2.5×6	1	1	1
29	S150217011	Screw M2.5 x 8	1	1	1
30	155400008	Oil felt	1	1	1
31	209330003	Felt	1	1	1
32	209330004	Bracket	1	1	1
33	S150217009	Screw M3×4	1	1	1
34	209300012	Bush	1	1	1
35	209300013	Bush	1	1	1
36	155440000	Pin complete	1	1	1
37	B12400432	Screw M4×4	1	1	1

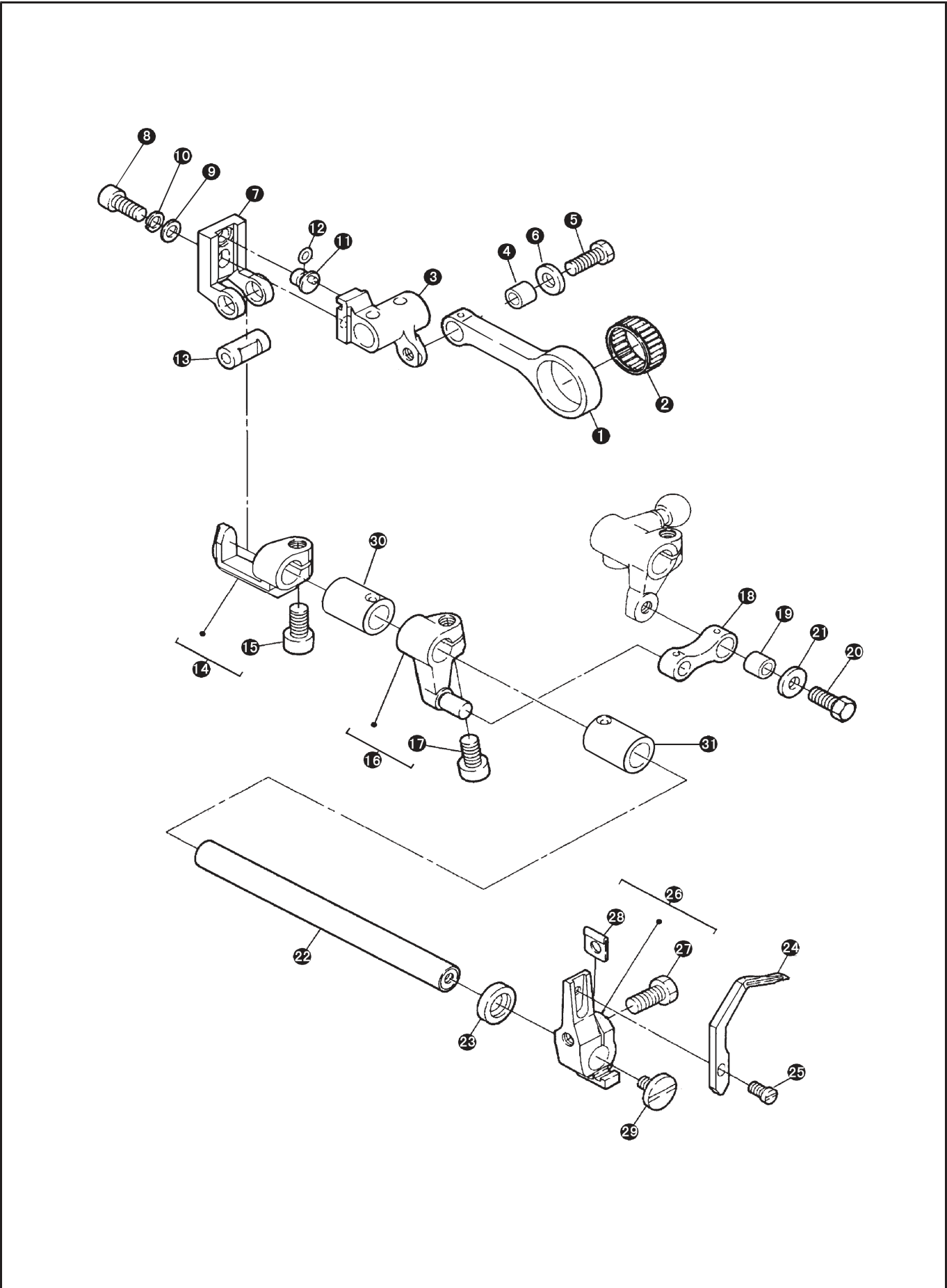
6. LOWER LOOPER PARTS



6.LOWER LOOPER PARTS

No.	Ret. No.	Description	Qt		
			9504	9514	9316
1	209310000	Looper ball link complete	1	1	1
2	B62401612	Screw M4x16	2	2	2
3	B62401012	Screw M4x10	2	2	2
4	209300001	Guide	1	1	1
5	S150218006	Screw M3x6	2	2	2
6	209300002	Shaft	1	1	1
7	155400005	Washer	1	1	1
8	S150204004	Screw M5× 10	1	1	1
9	S8A3103012	Spring washer 5	1	1	1
10	028330001	Oil seal	1	1	1
11	209300008	Lower looper	1		1
	210300002	Lower looper		1	
12	209400013	Screw M3.5x6.5	1	1	1
13	209340000	Lower looper holder assy	1	1	1
14	209300009	Screw M5x13	1	1	1
15	209300010	Screw M4x7	1	1	1
16	209350000	Crank			1
	210350000	Crank	1	1	
17	155300017	Screw M6x12	1	1	1
18	B12500532	Screw M5x5	1	1	1
19	209300011	Bush	1	1	1
20	209300013	Bush	1	1	1

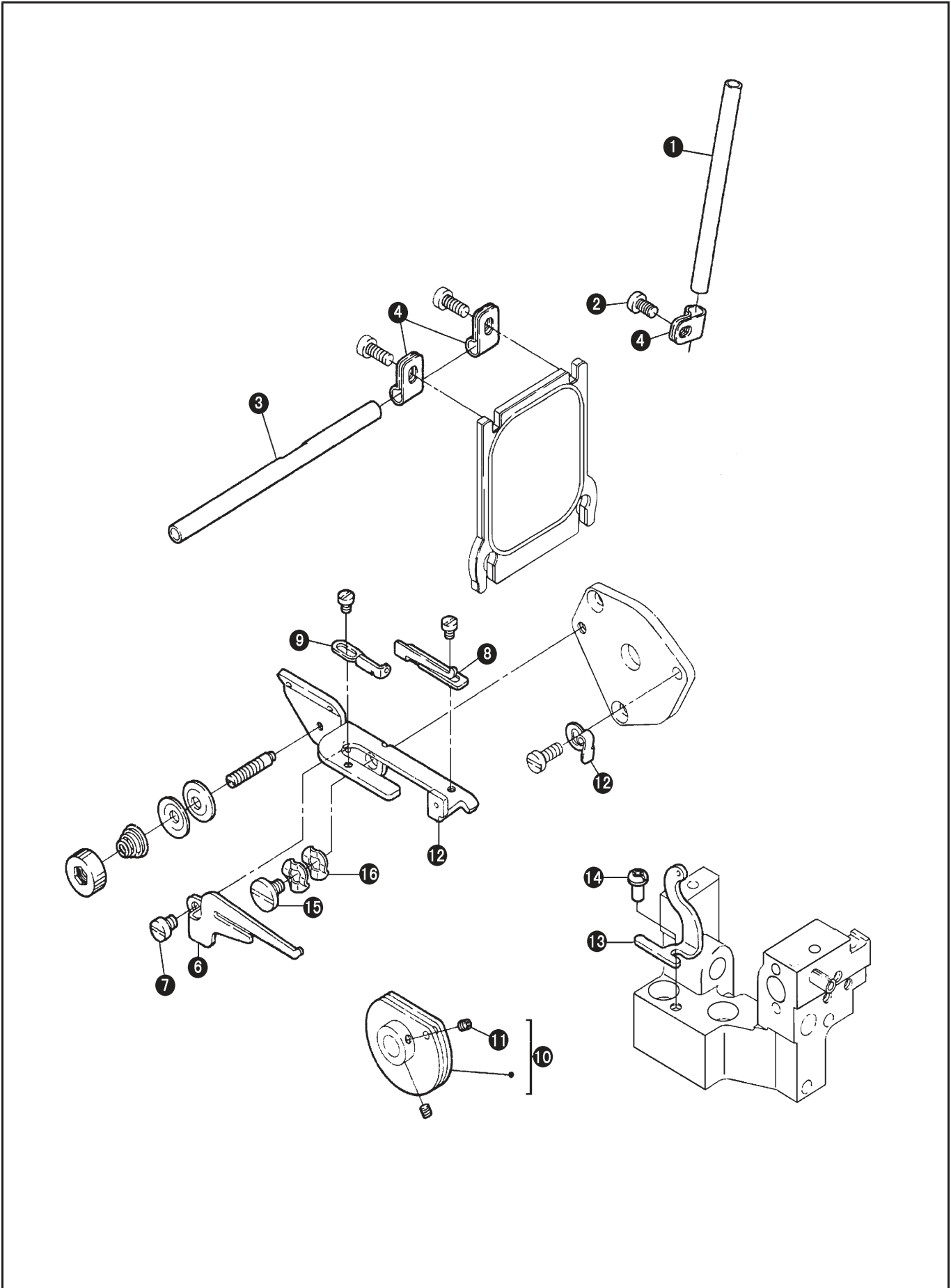
7.FRONT LOOPER PARTS (1)



7.FRONT LOOPER PARTS (1)

No.	Ret. No.	Description	Qt		
			9504	9514	9316
1	209400001	Connection			1
2	S150866015	Needle bearing (K18 × 22 × 8)			1
3	209400002	Crank			1
4	209400003	Bushing			1
5	209400007	Screw M5x0.5x13			1
6	209400004	Washer			1
7	209400005	Slider			1
8	S150220015	Screw M5x12			1
9	S8A3103006	Washer 5			1
10	S8A3103012	Washer 5			1
11	209400006	Pin			1
12	209400008	O-type ring 11.8 × 1.5			1
13	155700005	Crank			1
14	209420000	Slide block holder assy			1
15	155300017	Screw M6x12			1
16	209430000	Crank for front looper assy			1
17	155300017	Screw M6x12			1
18	209400009	Link			1
19	209400003	Bushing			1
20	209400007	Screw M5x0.5x13			1
21	209400004	Washer			1
22	209400010	Shaft for looper drive			1
23	209400011	Oil seal			1
24	209400012	Front looper			1
25	209400013	Screw M3.5x6.5			1
26	209440000	Front looper holder complete			1
27	209300009	Screw M5x13			1
28	209440002	Washer			1
29	209300010	Screw M4x7			1
30	209300011	Bush			1
31	209300013	Bush			1

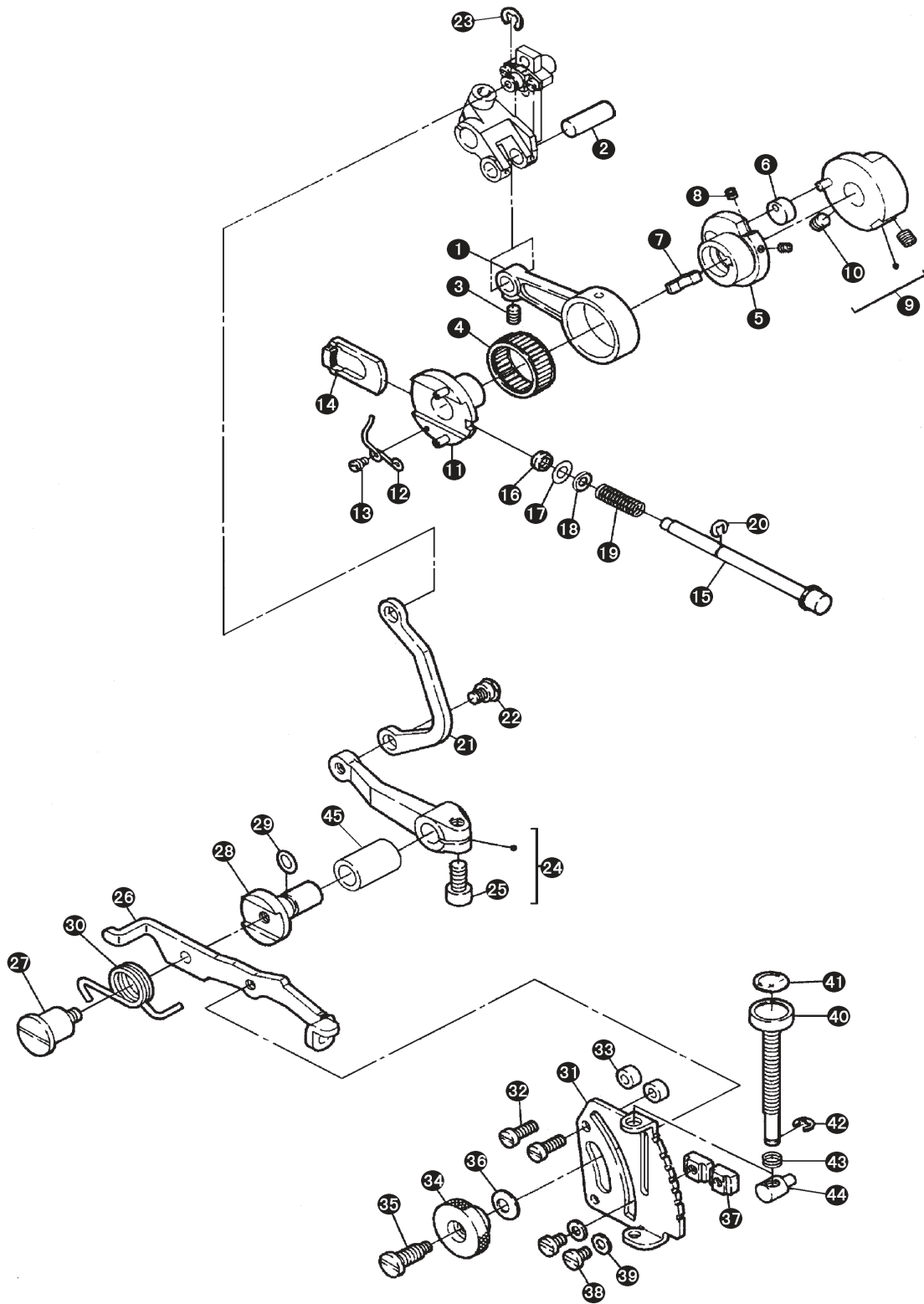
7. FRONT LOOPER PARTS (2)



7. FRONT LOOPER PARTS (2)

No.	Ret. No.	Description	Qt		
			9504	9514	9316
1	209400015	Short thread pipe			1
2	S150237006	Screw M4x8			1
3	209400016	Long thread pipe			1
4	116250002	Tube clamp			3
5	155A40001	Thead guide bracket			1
6	155A00009	Thead guide plate			1
7	S150215007	Screw M4x4			1
8	155A40002	Thead guide (right)			1
9	155A40003	Thead guide (left)			1
10	39T4-027B3	Thread takeup cam complete			1
11	182610010	Screw M3x3			2
12	155A00010	Spring			1
13	209400017	Thead guide plate			1
14	S150237006	Screw M4x8			1
15	155100024	Screw			1
16	155100025	Washer			2

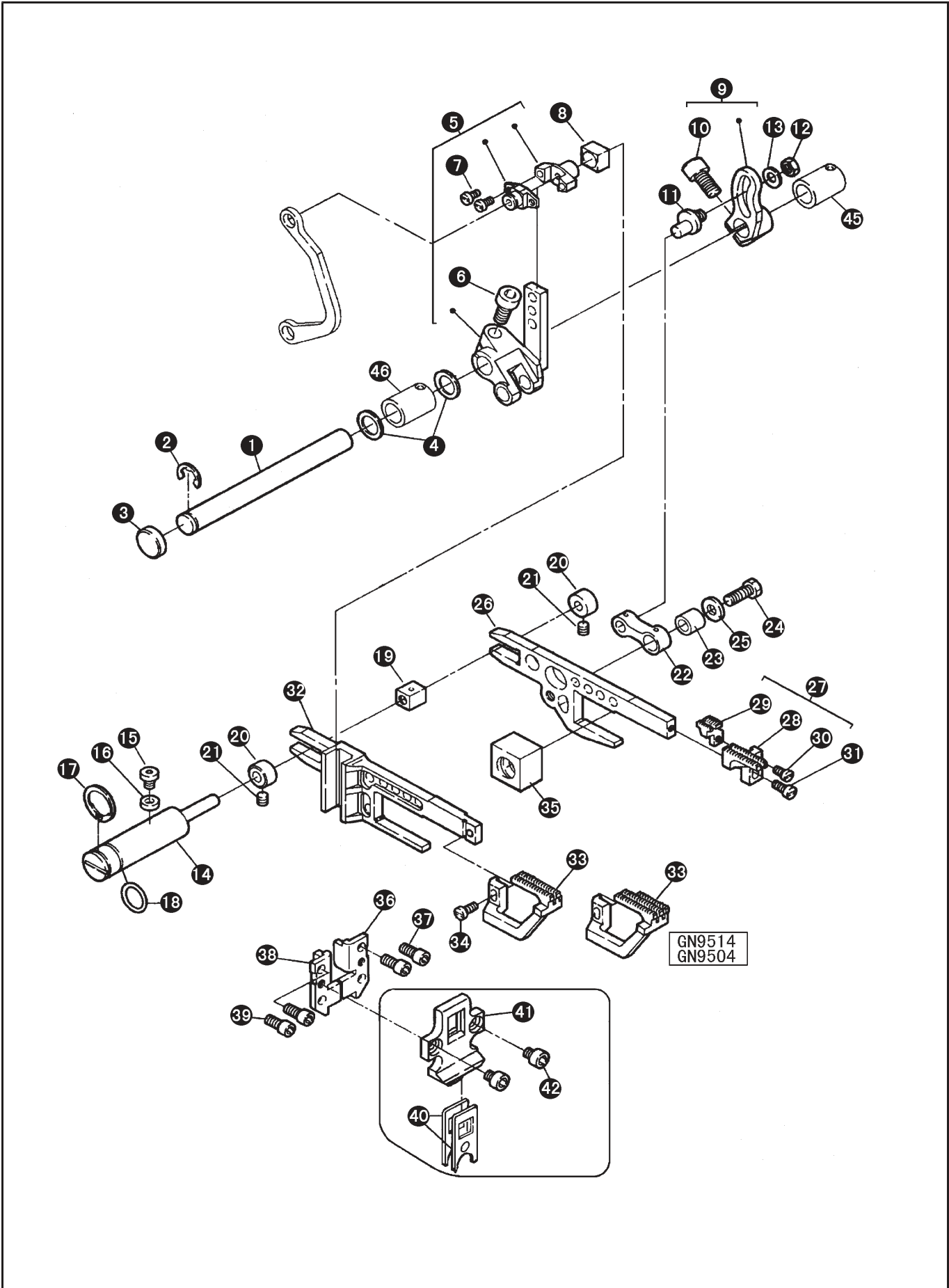
8.FEED DRIVE PARTS (1)



8.FEED DRIVE PARTS (1)

No.	Ret. No.	Description	Qt		
			9504	9514	9316
1	209500001	Link for feed drive	1	1	1
2	155300023	Pin	1	1	1
3	S150224009	Screw M4x6	1	1	1
4	155540000	Needle bearing	1	1	1
5	155500026	Feed drive cam	1	1	1
6	028400080	Roller	1	1	1
7	155500027	Plate spring	1	1	1
8	S150224015	Screw M3x6	2	2	2
9	209510000	Feed drive cam holder complete	1	1	1
10	B12500532	Screw M4x6	2	2	2
11	155550000	Stitch length cam complete	1	1	1
12	155500031	Spring	1	1	1
13	155500032	Screw	1	1	1
14	155500030	Stitch length adjust stopper	1	1	1
15	209500002	Push button	1	1	1
16	209500003	Gasket	1	1	1
17	S150656009	O-type ring 4x1.8	1	1	1
18	209500004	Washer	1	1	1
19	209500005	Spring	1	1	1
20	S4A0105006	Retaining ring 3	1	1	1
21	209500007	Diff. Feed regulating link	1	1	1
22	155500037	Screw	1	1	1
23	S8A3103018	Retaining ring 6	1	1	1
24	209520000	Diff. Feed crank complete	1	1	1
25	155300017	Screw (M6x12)	1	1	1
26	209500008	Diff. Feed regulating	1	1	1
27	155500043	Screw	1	1	1
28	155500039	Diff. Feed regulating shaft	1	1	1
29	S4A0604005	O-type ring10x1.9	1	1	1
30	155500042	Spring	1	1	1
31	209500009	Differential stitch control	1	1	1
32	S150237004	Screw M4x12	2	2	2
33	209500010	Washer	2	2	2
34	209500011	Nut	1	1	1
35	155500047	Screw	1	1	1
36	028400044	Washer	1	1	1
37	209500012	Stopper	2	2	2
38	S150237007	Screw M4x6	2	2	2
39	S8A3103003	Washer 4	2	2	2
40	209500013	Adjusting bar	1	1	1
41	209500014	Seal	1	1	1
42	S4A0105006	Retaining ring 3	1	1	1
43	209500015	Spring	1	1	1
44	209500016	Pin	1	1	1
45	155500040	Bush	1	1	1

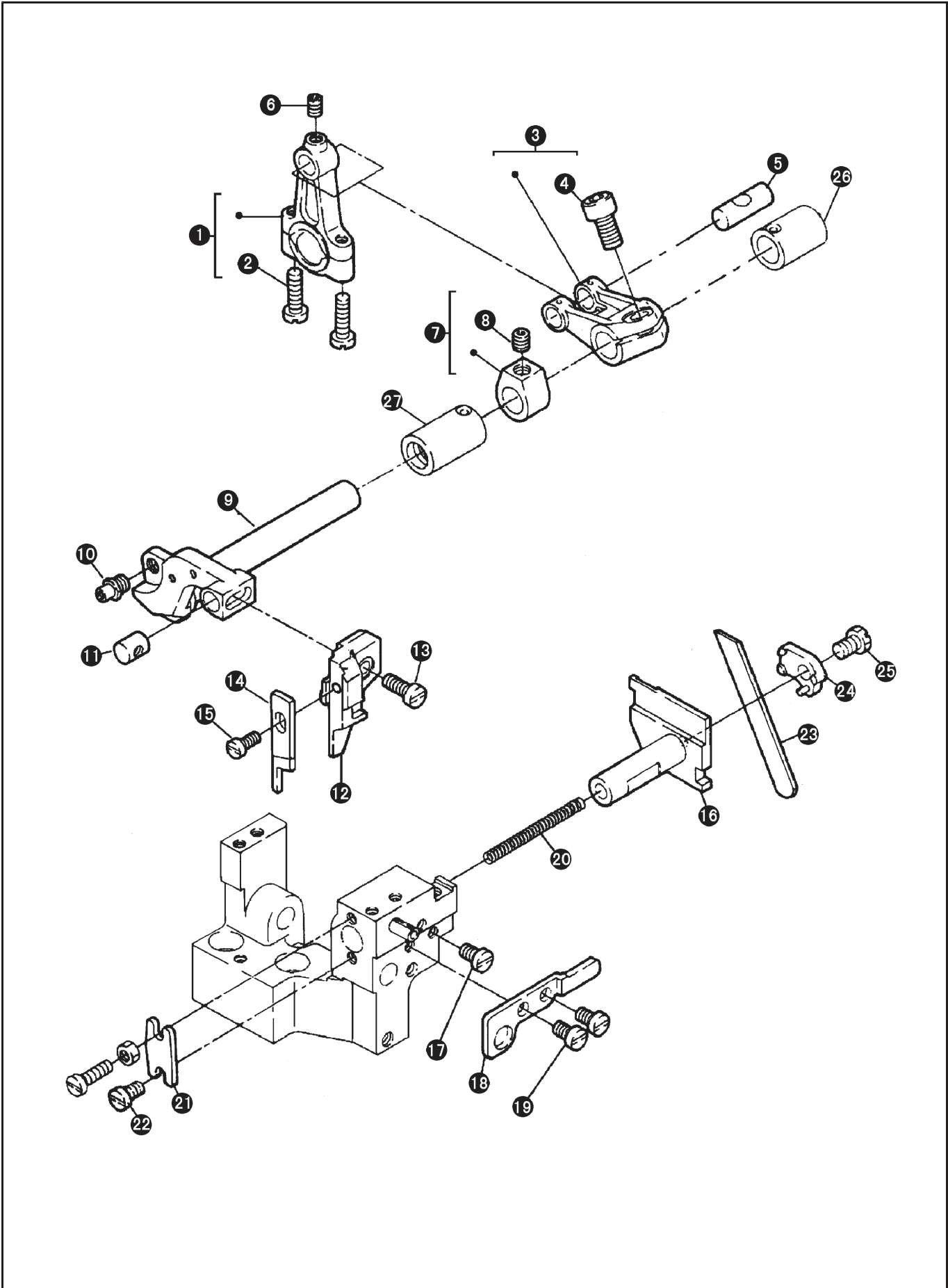
8. FEED DRIVE PARTS (2)



8. FEED DRIVE PARTS (2)

No.	Ret. No.	Description	Qt		
			9504	9514	9316
1	209500019	Feed shaft	1	1	1
2	060410014	Retaining ring 7	1	1	1
3	209500035	Oil seal	1	1	1
4	155300006	Washer	2	2	2
5	209530000	Diff. Feed crank complete	1	1	1
6	209530004	Screw M6X14	1	1	1
7	S150217015	Screw M3X6	2	2	2
8	209500020	Block	1	1	1
9	209540000	Feed crank	1	1	1
10	209530004	Screw M6X14	1	1	1
11	209500021	Pin	1	1	1
12	S120503010	Nut 5	1	1	1
13	155500010	Washer	1	1	1
14	209500022	Eccentric shaft	1	1	1
15	209500023	Screw	1	1	1
16	209500024	Washer	1	1	1
17	209500025	Ring	1	1	1
18	S150656033	O-type ring11.8x1.8	1	1	1
19	209500026	Slide block	1	1	1
20	209500027	Washer	2	2	2
21	B12400432	Screw M4X4	2	2	2
22	209400009	Link	1	1	1
23	209400003	Bushing	1	1	1
24	209400007	Screw M5X0.5X13	1	1	1
25	209400004	Washer	1	1	1
26	209550001	Feed dog holder	1	1	1
27	209560000	Main feed dog complete			1
	210460000	Main feed dog complete	1	1	
28	209560001	Main feed dog	1	1	1
29	209560002	Auxible feed dog	1	1	1
30	S150217015	Screw M3X6	1	1	1
31	B60350812	Screw M3.5X8	1	1	1
32	209550002	Differential feed dog holder	1	1	1
33	209500028	Differential feed dog			1
	210400001	Differential feed dog	1	1	
34	B60350812	Screw M3.5X8	1	1	1
35	209500029	Slide block for feed dog	1	1	1
36	209500030	Feed bar guide (right)	2	2	2
37	S150220051	Screw M4X9	1	1	1
38	209500031	Feed bar guide (left)	2	2	2
39	S150220051	Screw M4X9	1	1	1
40	209500033	Differential feed seal plate	2	2	2
41	209500034	Differential feed seal guide plate	2	2	2
42	S150220050	Screw M4X5	1	1	1
43	209300011	Right bush for feed shaft	1	1	1
44	209300013	Left bush for feed shaft	1	1	1

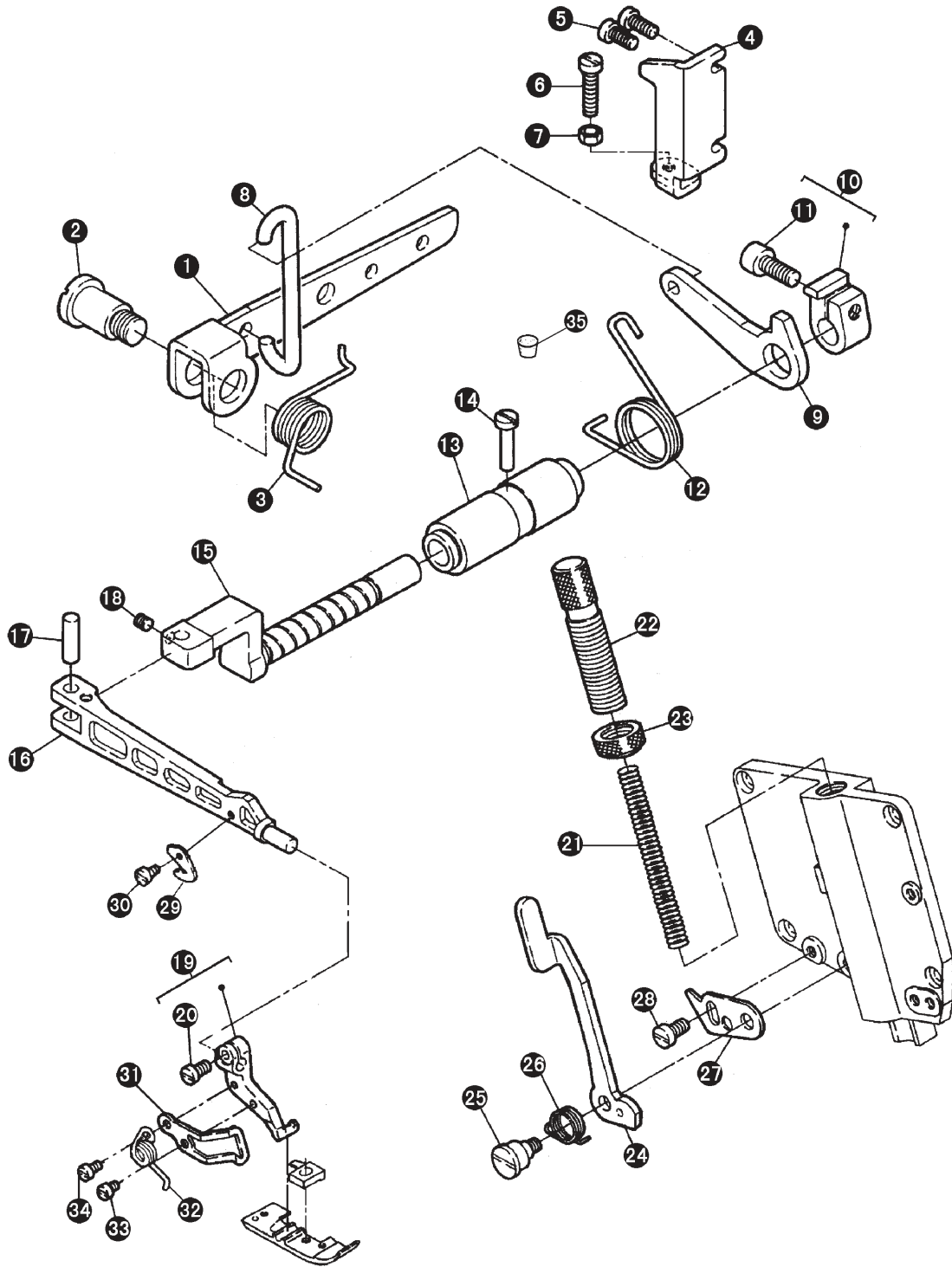
9. CUTTER DRIVE PARTS



9. CUTTER DRIVE PARTS

No.	Ret. No.	Description	Qt		
			9504	9514	9316
1	209610000	Link for upper knife drive complete	1	1	1
2	B62401612	Screw M4 × 16	2	2	2
3	209620000	Crank for upper cutter drive complete	1	1	1
4	155300017	Screw M6 × 12	1	1	1
5	155300023	Pin	1	1	1
6	S150224009	Screw M4 × 6	1	1	1
7	209600001	Set collar	1	1	1
8	B12060632	Screw M6 × 6	1	1	1
9	209600002	Upper knife bar	1	1	1
10	209600003	Pin	1	1	1
11	209600004	Pin	1	1	1
12	209600005	Upper knife holder			1
	210500001	Upper knife holder	1	1	
13	S150215010	Screw M4 × 12	1	1	1
14	155600008	Upper knife	1	1	1
15	B60350812	Screw M3.5 × 8	1	1	1
16	209600006	Upper knife holder			1
	210500002	Upper knife holder	1	1	
17	S150237006	Screw M4 × 8	1	1	1
18	209600007	Lower knife holder guide	1	1	1
19	S150237006	Screw M4 × 8	2	2	2
20	209600009	Spring	1	1	1
21	209600008	Plate	1	1	1
22	S150237006	Screw M4 × 8	1	1	1
23	159600004	Lower knife	1	1	1
24	209600010	Clamp for lower cutter	1	1	1
25	B092500298	Screw M5 × 8	1	1	1
26	209300011	Right bush for upper cutter bar	1	1	1
27	209600012	Left bush for upper cutter bar	1	1	1

10. PRESSER FOOT LIFT PARTS



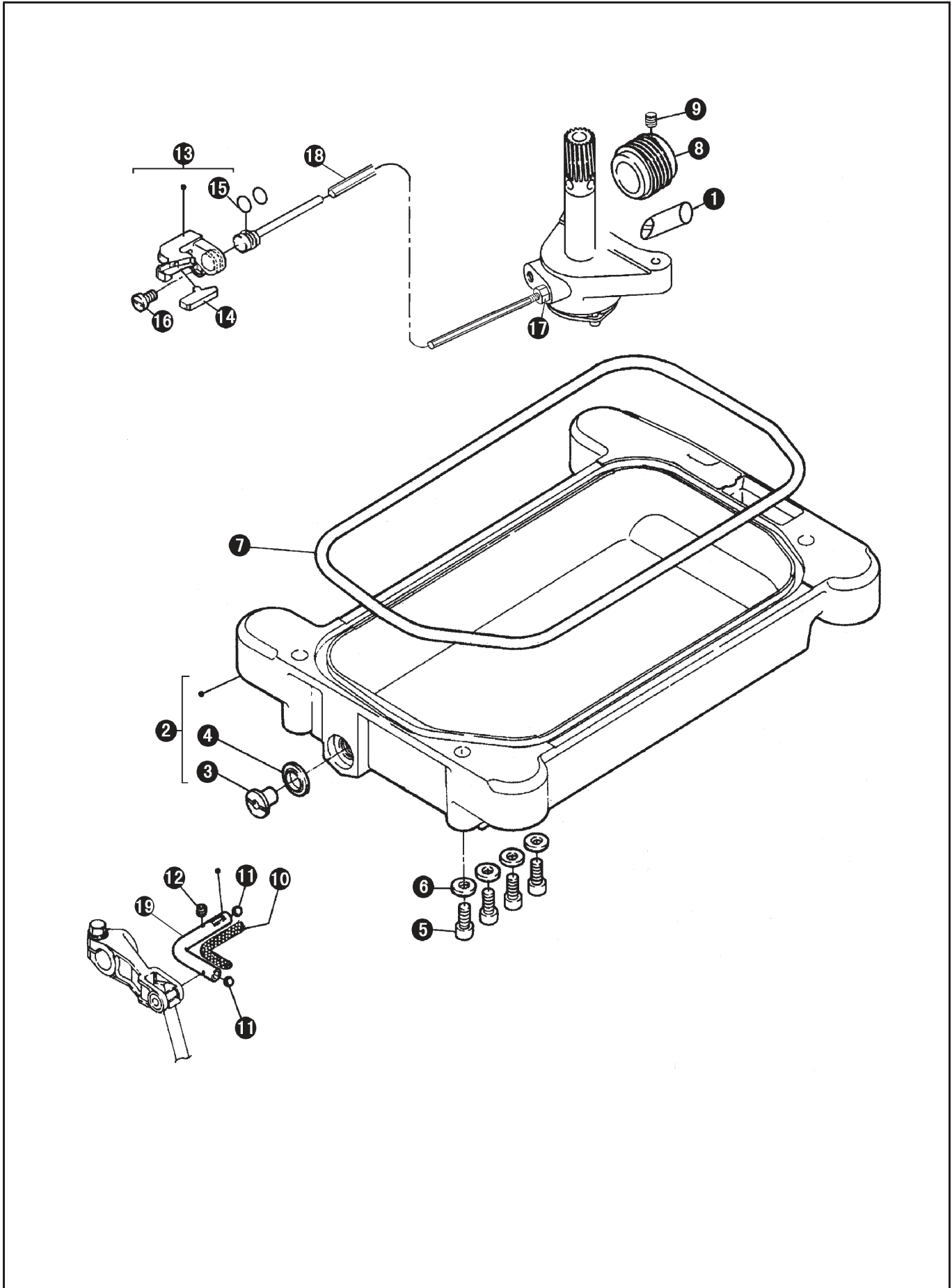
10. PRESSER FOOT LIFT PARTS

No.	Ret. No.	Description	Qt		
			9504	9514	9316
1	209700001	Foot lift lever	1	1	1
2	155800010	Screw M10	1	1	1
3	209700002	Spring	1	1	1
4	209700003	Stopper plate	1	1	1
5	S150237043	Screw M4× 10	2	2	2
6	S150215013	Screw M5× 25	1	1	1
7	S120503010	Nut M5	1	1	1
8	155800011	Link for foot lift lever	1	1	1
9	155800005	Lever	1	1	1
10	155800007	Set collar for foot lift shaft	1	1	1
11	209530004	Screw M6× 14	1	1	1
12	155800006	Spring	1	1	1
13	209700005	Bush for presser foot lift	1	1	1
14	B62401612	Screw M4× 40	1	1	1
15	209700006	Press arm shaft	1	1	1
16	209700007	Press arm	1	1	1
17	155800002	Press arm pin	1	1	1
18	B12400432	Screw M4× 4	1	1	1
19	209720000	Presser foot complete			1
	210610000	Presser foot complete		1	
	211610000	Presser foot complete	1		
20	155300030	Screw M3.5× 8	1	1	1
21	155800014	Spring	1	1	1
22	209700011	Screw	1	1	1
23	209700012	Nut	1	1	1
24	155800016	Press bar lifter	1	1	1
25	155800018	Screw	1	1	1
26	155800017	Spring	1	1	1
27	209700014	Press arm stopper	1	1	1
28	S150217007	Screw M4× 8	1	1	1
29	155800020	Knife	1	1	1
30	S120202004	Screw M3× 5	1	1	1
31	209700009	Finger guard			1
	210600001	Finger guard	1	1	
32	209700015	Spring	1	1	1
33	S120202004	Screw M3× 4	1	1	1
34	S120202007	Screw M3× 5	1	1	1
35	B906289009	Rubber plug	1	1	1

11. LUBRICATING PARTS (1)

No.	Ret. No.	Description	Qt		
			9504	9514	9316
1	209810000	Pump complete	1	1	1
2	209810001	Worm wheel	1	1	1
3	B12500532	Screw M5× 5	2	2	2
4	155940001	Pump complete	1	1	1
5	S150220003	Screw M4× 16	2	2	2
6	209800001	Oil basin	1	1	1
7	S150237003	Screw M4× 14	2	2	2
8	28t-021G	Filter element	1	1	1
9	155900031	The cover of oil basin	1	1	1
10	S150237007	Screw M4× 6	3	3	3
11	155900032	Rubber ring	1	1	1
12	028700010	Oil splash connector	2	2	2
13	028700011	Oil splash connector clamp	2	2	2
14	155900005	Screw	2	2	2
15	209800005	Tube L=258	1	1	1
16	028700010	Oil splash connector	2	2	2
17	028700011	Oil splash connector clamp	2	2	2
18	155900005	Screw	2	2	2
19	209800006	Tube L=185	1	1	1
20	209820000	Oil distributor	1	1	1
21	S8A3105006	Small ball plug 4	2	2	2
22	S150237004	Screw M4× 12	1	1	1
23	155900005	Screw	1	1	1
24	209800002	Oil guide	1	1	1
25	S8A3103003	Washer 4	1	1	1
26	B998367009	Spring	1	1	1
27	S150237007	Screw M4× 16	1	1	1

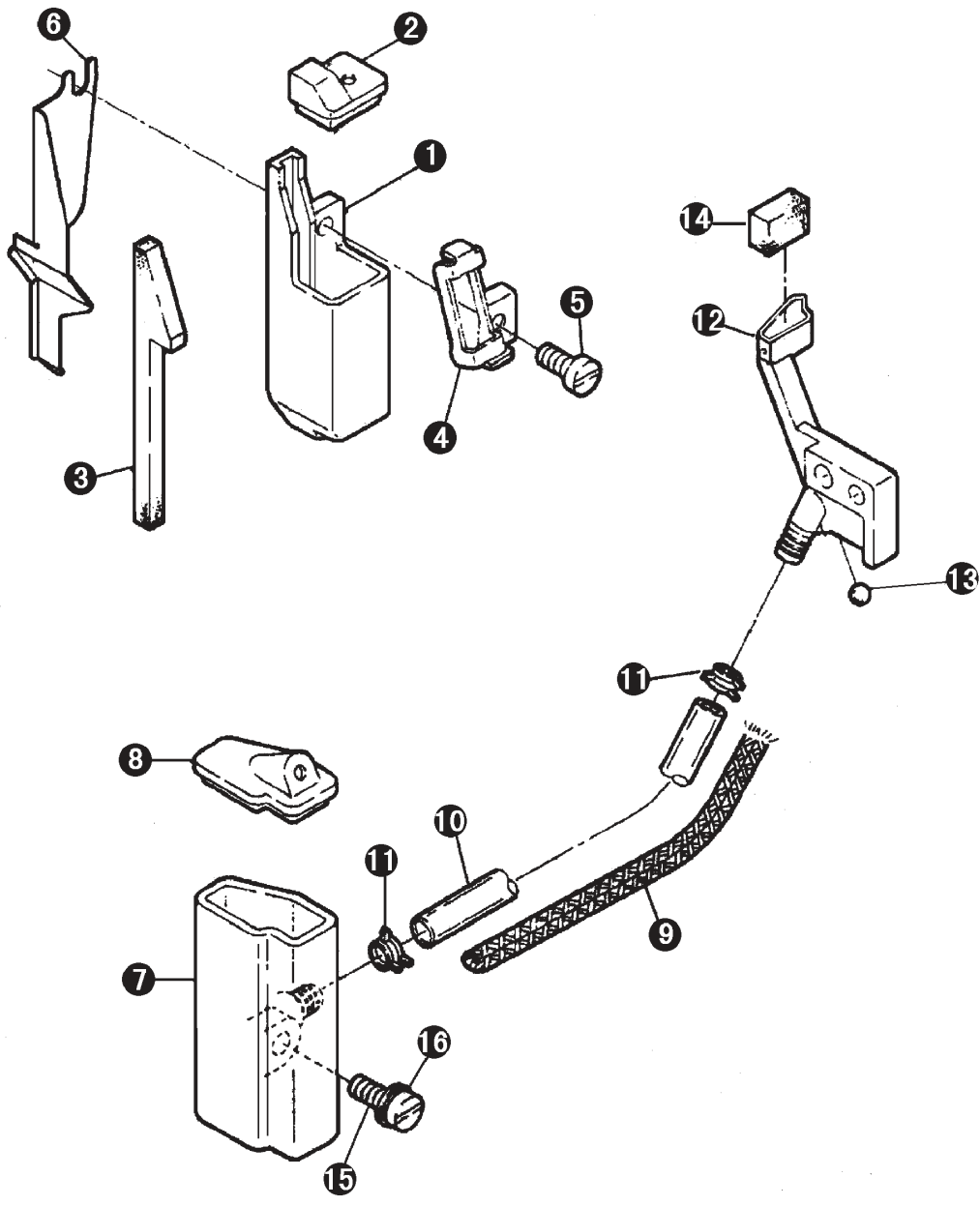
11. LUBRICATING PARTS (2)



11. LUBRICATING PARTS (2)

No.	Ret. No.	Description	Qt		
			9504	9514	9316
1	209800009	Oil level gauge	1	1	1
2	209830000	Oil reservoir assy	1	1	1
3	028700026	Screw	1	1	1
4	028780001	Packing	1	1	1
5	S150220015	Screw M5 × 12	4	4	4
6	155900017	Washer	4	4	4
7	209800012	Packing	1	1	1
8	209800013	Worm	1	1	1
9	B12500532	Screw M5 × 5	1	1	1
10	155320002	Oil wick	1	1	1
11	S8A3105006	Small ball plug $\Phi 4$	2	2	2
12	B12400432	Screw M4 × 4	1	1	1
13	209860000	Joint	1	1	1
14	209860001	Felt	1	1	1
15	S150656021	O-type ring 6 × 1.8	2	2	2
16	S150237006	Screw M4 × 8	1	1	1
17	155900010	Oil return pipe connector	1	1	1
18	209800007	Pipe L=230	1	1	1
19	209850001	Pipe	1	1	1

12.H.R DEVICE



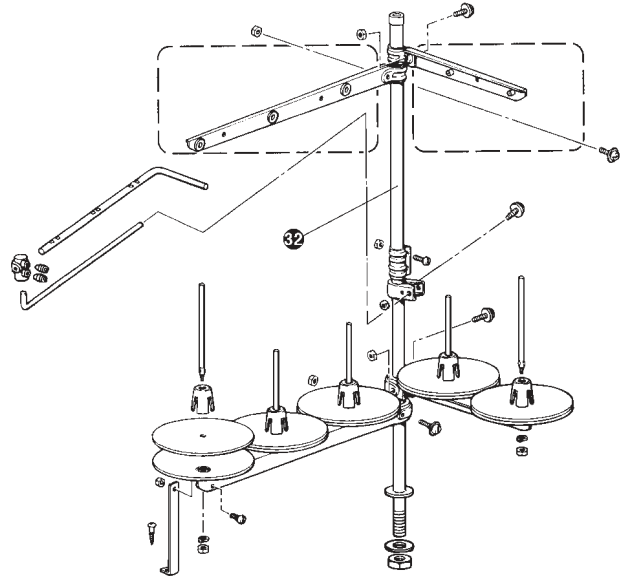
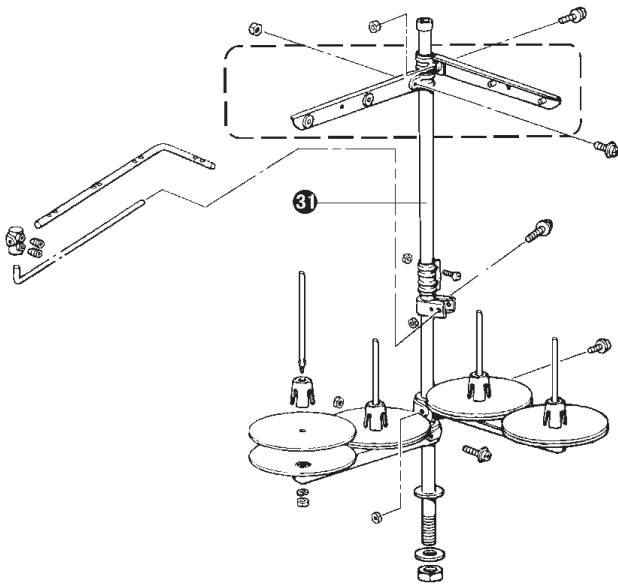
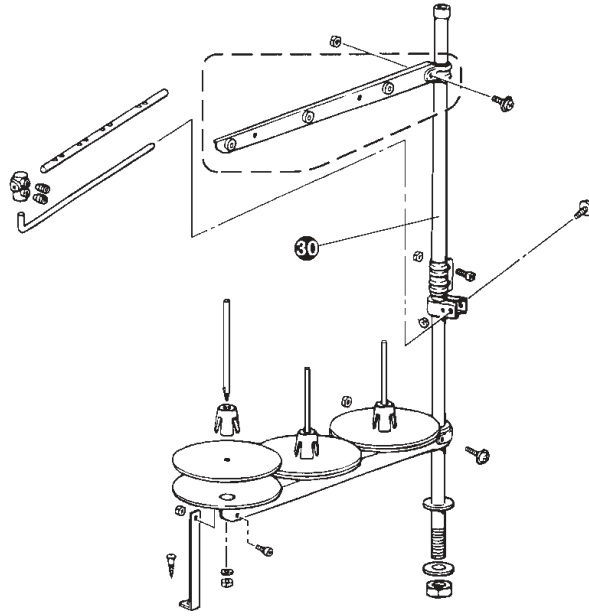
12.H.R DEVICE

No.	Ret. No.	Description	Qt		
			9504	9514	9316
1	209800014	Upper silicone oil reservoir	1	1	1
2	209800015	Cover for upper silicone oil reservoir	1	1	1
3	209800016	Oil felt			1
	210700002	Oil felt	1	1	
4	209800017	Thread guide			1
	210700001	Thread guide	1	1	
5	B62401012	Screw M4 × 10	1	1	1
6	209800018	Oil guide	1	1	1
7	209870001	Cover for upper silicone oil reservoir	1	1	1
8	209870002	Cover for upper silicone oil reservoir	1	1	1
9	155930004	Oil wick	1	1	1
10	209870003	Oil tube	1	1	1
11	028700011	Pipe clamp	2	2	2
12	209871001	Needle cooler			1
	210711001	Needle cooler	1	1	
13	S8A3105006	Small ball plug 4	1	1	1
14	209870004	Felt			1
	21071100	Felt	1	1	
15	S150237004	Screw M4 × 10	1	1	1
16	S8A3103003	Washer 4	1	1	1

13. ACCESSORIES (1)

No.	Ret. No.	Description	Qt		
			9504	9514	9316
1	209F01001	Machine rest board	1	1	1
2	209F01002	Rubber cushion	1	1	1
3	28T8-002	Bolt	4	4	4
4	209B00001	Table	1	1	1
5	110F10008	Rubber cushion	20	20	20
6	S150630001	Washer(8)	4	4	4
7	S150671001	Washer(8)	4	4	4
8	GB100-76	Screw	3	3	3
9	209F01101	Wastes chute (upper)	1	1	1
10	209F01102	Wastes chute (lower)	1	1	1
11	GB99-76	Screw	4	4	4
12		Tweezer	1	1	1
13		Screwdriver(S)	1	1	1
14		Screwdriver(B)	1	1	1
15	DC x 27	Needle	1	1	1
16		Double open- end wrench	1	1	1
17	39T10-005	Double open- end			1
18	39T10-001	Threading wire			1
19		Hey key6	1	1	1
		Hey key5	1	1	1
		Hey key3	1	1	1
		Hey key2.5	1	1	1
		Hey key2	1	1	1
20		Silicon oil pot	1	1	1
21		Chain looper	2	2	2
22		Chain	50	50	50
23		Funnel	1	1	1
24	155F00002	Oil can	1	1	1
25	22T9-001	Oil pot	1	1	1
26		Vinyl cover	1	1	1
27	GB1171-74	Belt	1	1	1
28	110F00005	Hndled hex driver	1	1	1
29	S150220027	Screw	1	1	1

13. ACCESSORIES (2)



13. ACCESSORIES (2)

No.	Ret. No.	Description	Qt		
			9504	9514	9316
30	GXJ-3B	Spool stand for three	1		
31	GXJ-4B	Spool stand for four		1	
32	GXJ-5B7	Spool stand for five			1

- Besides adjusting stitch, please laypeople don't debug or maintain.
- Parts are subject to changes in design without prior notice.

XI'AN TYPICAL INDUSTRIES CO.,LTD.

Add: No.335 Taibai South Road,
Xi'an, P.R.China-710068
Tel :+86-29-88279091 88279150
Fax :+86-29-88249715 88245215
E-mail:typical@chinatypical.com
Http:www.chinatypical.com
Http:www.globalsources.com

2008.07.30 ①